



Color: Bronze

Weight: 2.0 lbs

<b>Project:</b>	<b>Type:</b>
<b>Prepared By:</b>	<b>Date:</b>

Driver Info		LED Info	
Type	Constant Current	Watts	34/25/13W
120V	0.30A/0.21A/0.11A	Color Temp	4000K
208V	N/A	Color Accuracy	84/85/85 CRI
240V	N/A	L70 Lifespan	50,000 Hours
277V	N/A	Lumens	3,695/2,711/1,398 lm
Input Watts	34.4/24.3/12.3W	Efficacy	107.4/111.6/113.7 lm/W

## Technical Specifications

### Field Adjustability

#### Field Adjustable:

Field Adjustable Light Output:  
34/25/13 (factory default 34W)

### Compliance

#### UL Listed:

Suitable for wet locations

### IESNA LM-79 & LM-80 Testing:

RAB LED luminaires and LED components have been tested by an independent laboratory in accordance with IESNA LM-79 and LM-80.

### IP Rating:

Ingress protection rating of IP65 for dust and water

### Trade Agreements Act Compliant:

This product is a product of Cambodia and a "designated country" end product that complies with the Trade Agreements Act

### DLC Listed:

This product is on the Design Lights Consortium (DLC) Qualified Products List and is eligible for rebates from DLC Member Utilities. Designed to meet DLC 5.1 requirements.  
DLC Product Code: S-IFESPR

### Performance

#### Lifespan:

50,000-Hour LED lifespan based on IES LM-80 results and TM-21 calculations

#### Wattage Equivalency:

34W: Replaces up to 150W Metal Halide (MH) or 100W High Pressure Sodium (HPS)

25W: Replaces up to 100W Metal Halide (MH) or 100W High Pressure Sodium (HPS)

13W: Replaces up to 70W Metal Halide (MH) or 50W High Pressure Sodium (HPS)

### LED Characteristics

#### LEDs:

Long-life, high-efficiency, surface-mount LEDs

#### Color Consistency:

7-step MacAdam Ellipse binning to achieve consistent fixture-to-fixture color

### Construction

#### Cold Weather Starting:

The minimum starting temperature is -40°C (-40°F)

#### Maximum Ambient Temperature:

Suitable for use in up to 40°C (104°F)

#### Housing:

Precision die-cast aluminum / Polycarbonate

#### Lens:

Polycarbonate lens

#### Reflector:

Mirror finish on polycarbonate

#### Finish:

Formulated for high durability and long-lasting color

#### Green Technology:

Mercury and UV free. RoHS-compliant components.

### Installation

#### Mounting:

Hinged wiring access and conduit entries on the back sides, top and bottom make installation a snap

### Electrical

#### Driver:

Integrated driver, 60 Hz, 120V:  
34W: 0.30A  
25W: 0.21A  
13W: 0.11A

#### THD:

12.56% at 120V

#### Power Factor:

99.2% at 120V

## Technical Specifications (continued)

### Surge Protection:

4kV

### Optical

#### BUG Rating:

34W: B1 U0 G1

25W: B1 U0 G1

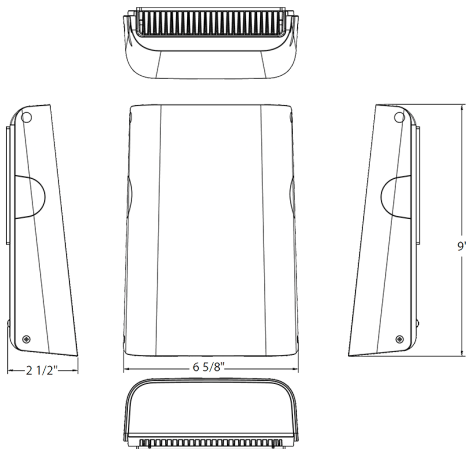
13W: B1 U0 G0

### Other

#### 5 Yr Limited Warranty:

The RAB 5-year, limited warranty covers light output, driver performance and paint finish. RAB's warranty is subject to all terms and conditions found at [rablighting.com/warranty](http://rablighting.com/warranty).

## Dimensions



## Features

- Selectable Wattages
- Full cutoff
- 120V
- 5-Year, limited warranty

## Ordering Matrix

Family	Wattage	Color Temp	Finish	Driver
SLIM15		N		
	Blank = 34/25/13W	Blank = 5000K N = 4000K Y = 3000K	Blank = Bronze W = White	Blank = 120V