

Color: Bronze

Weight: 10.6 lbs

Project:

Type:

Prepared By:

Date:

Driver Info

Type	Constant Current
120V	1.00A
208V	0.60A
240V	0.50A
277V	0.40A
Input Watts	102/102.8/101W

LED Info

Watts	100W
Color Temp	3000/4000/5000K
Color Accuracy	80 CRI
L70 Lifespan	100,000 Hours
Lumens	12833/14984/13166 lm
Efficacy	125.8/145.8/130.4 lm/W

Technical Specifications

Field Adjustability

Field Adjustable:

Color temperature selectable by 3000K, 4000K and 5000K

Compliance

UL Listed:

Suitable for wet locations

IESNA LM-79 & LM-80 Testing:

RAB LED luminaires and LED components have been tested by an independent laboratory in accordance with IESNA LM-79 and LM-80.

IP Rating:

Ingress protection rating of IP65 for dust and water

DLC Listed:

This product is listed by Design Lights Consortium (DLC) as an ultra-efficient premium product that qualifies for the highest tier of rebates from DLC Member Utilities. Designed to meet DLC 5.1 requirements.

DLC Product Code: PLUXLTH1OKVW

Performance

Lifespan:

100,000-Hour LED lifespan based on IES LM-80 results and TM-21 calculations

Wattage Equivalency:

Equivalent to 400W Metal Halide

LED Characteristics

LEDs:

Long-life, high-efficiency, surface-mount LEDs

Electrical

Driver:

Constant Current, Class 1, 120-277V, 50/60 Hz, 120V: 1.00A, 208V: 0.60A, 240V: 0.50A, 277V: 0.40A

Dimming Driver:

Driver includes dimming control wiring for 0-10V dimming systems. Requires separate 0-10V DC dimming circuit. Dims down to 10%.

Photocell:

120-277V selectable photocell that can be turned on and off.

Surge Protection:

L-N:6KV,L-PE:6KV,N-PE:6KV

Construction

Cold Weather Starting:

The minimum starting temperature is -40°C (-40°F)

Ambient Temperature :

Max Power Temp Rating: 50°C (122°F)

Middle Power Temp Rating: 50°C (122°F)

Low Power Temp Rating: 50°C (122°F)

Housing:

Precision die-cast aluminum housing and door frame

Lens:

Polycarbonate lens

Cut Off:

Full cutoff (0°)

Finish:

Formulated for high durability and long-lasting color

Green Technology:

Mercury and UV free. RoHS-compliant components.

Installation

Mounting:

Hinged wiring access and conduit entries on the back, sides, top and bottom make installation a snap

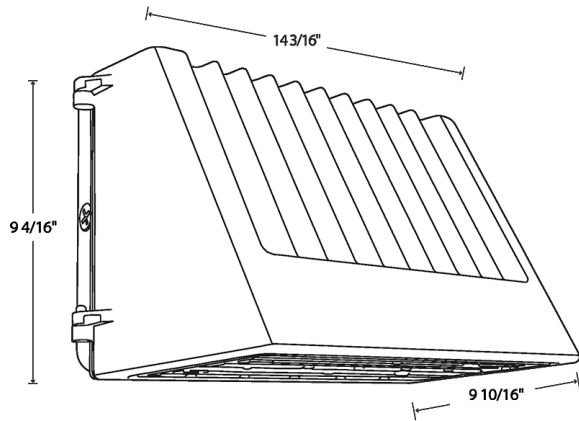
Technical Specifications (continued)

Other

5 Yr Limited Warranty:

The RAB 5-year, limited warranty covers light output, driver performance and paint finish. RAB's warranty is subject to all terms and conditions found at rablighting.com/warranty.

Dimensions



Features

- Selectable CCT
- Full cutoff
- Selectable on/off photocell
- 0-10V dimming, standard

Ordering Matrix

Family	Style	Wattage	Color Temp	Finish	Driver	Options
SLIM17FA	FC	100				
	FC = Full cutoff	40 = 40W 60 = 60W 100 = 100W 120 = 120W 150 = 150W	Blank = 3000/4000/5000K Adjustable	Blank = Bronze	Blank = 120-277V	Blank = Selectable On/Off Photocell /MVS = Selectable On/Off Photocell w/Microwave Motion Sensor /LCB = Lightcloud Blue /LCBS = Lightcloud Blue w/PIR Sensor /LCBS/MVS = Lightcloud Blue w/MVS Sensor