

Color: Bronze

Weight: 11.0 lbs

Project:	Type:
Prepared By:	Date:

Driver Info		LED Info	
Type	Constant Current	Watts	120W
120V	1.20A	Color Temp	3000/4000/5000K
208V	0.70A	Color Accuracy	80 CRI
240V	0.60A	L70 Lifespan	100,000 Hours
277V	0.50A	Lumens	14880/17159/15557 lm
Input Watts	122.8/122.1/122.7W	Efficacy	121.2/140.5/126.8 lm/W

Technical Specifications

Field Adjustability

Field Adjustable:

Color temperature selectable by 3000K, 4000K and 5000K

Compliance

UL Listed:

Suitable for wet locations

IESNA LM-79 & LM-80 Testing:

RAB LED luminaires and LED components have been tested by an independent laboratory in accordance with IESNA LM-79 and LM-80.

IP Rating:

Ingress protection rating of IP65 for dust and water

DLC Listed:

This product is listed by Design Lights Consortium (DLC) as an ultra-efficient premium product that qualifies for the highest tier of rebates from DLC Member Utilities. Designed to meet DLC 5.1 requirements.

DLC Product Code: PLEY76IFWY51

Performance

Lifespan:

100,000-Hour LED lifespan based on IES LM-80 results and TM-21 calculations

Wattage Equivalency:

Equivalent to 750W Metal Halide

LED Characteristics

LEDs:

Long-life, high-efficiency, surface-mount LEDs

Electrical

Driver:

Constant Current, Class 1, 120-277V, 50/60 Hz, 120V: 1.20A, 208V: 0.70A, 240V: 0.60A, 277V: 0.50A

Dimming Driver:

Driver includes dimming control wiring for 0-10V dimming systems. Requires separate 0-10V DC dimming circuit. Dims down to 10%.

Photocell:

120-277V selectable photocell that can be turned on and off.

Surge Protection:

L-N:6KV,L-PE:6KV,N-PE:6KV

Construction

Cold Weather Starting:

The minimum starting temperature is -40°C (-40°F)

Ambient Temperature :

Max Power Temp Rating: 50°C (122°F)

Middle Power Temp Rating: 50°C (122°F)

Low Power Temp Rating: 50°C (122°F)

Housing:

Precision die-cast aluminum housing and door frame

Lens:

Polycarbonate lens

Cut Off:

Full cutoff (0°)

Finish:

Formulated for high durability and long-lasting color

Green Technology:

Mercury and UV free. RoHS-compliant components.

Installation

Mounting:

Hinged wiring access and conduit entries on the back, sides, top and bottom make installation a snap

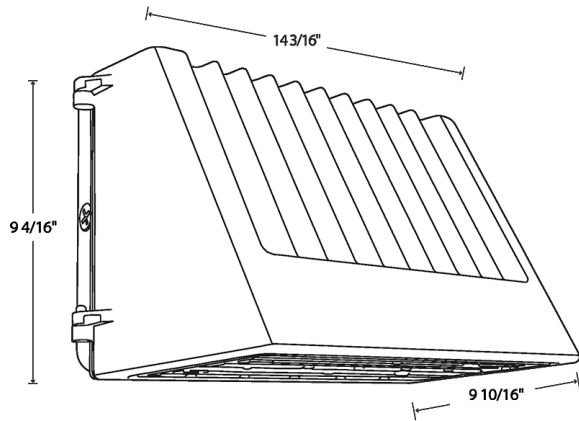
Technical Specifications (continued)

Other

5 Yr Limited Warranty:

The RAB 5-year, limited warranty covers light output, driver performance and paint finish. RAB's warranty is subject to all terms and conditions found at rablighting.com/warranty.

Dimensions



Features

- Selectable CCT
- Full cutoff
- Selectable on/off photocell
- 0-10V dimming, standard

Ordering Matrix

Family	Style	Wattage	Color Temp	Finish	Driver	Options
SLIM17FA	FC	120				
	FC = Full cutoff	40 = 40W 60 = 60W 100 = 100W 120 = 120W 150 = 150W	Blank = 3000/4000/5000K Adjustable	Blank = Bronze	Blank = 120-277V	Blank = Selectable On/Off Photocell /MVS = Selectable On/Off Photocell w/Microwave Motion Sensor /LCB = Lightcloud Blue /LCBS = Lightcloud Blue w/PIR Sensor /LCBS/MVS = Lightcloud Blue w/MVS Sensor