



Color: Bronze

Weight: 6.8 lbs

**Project:**

**Type:**

**Prepared By:**

**Date:**

### Driver Info

Type	Constant Current
120V	0.40A
208V	0.30A
240V	0.20A
277V	0.15A
Input Watts	37.7/38.2/38.2W

### LED Info

Watts	40W
Color Temp	3000/4000/5000K
Color Accuracy	80 CRI
L70 Lifespan	100,000 Hours
Lumens	4595/5421/4826 lm
Efficacy	121.9/141.8/126.5 lm/W

## Technical Specifications

### Field Adjustability

#### Field Adjustable:

Color temperature selectable by 3000K, 4000K and 5000K

### Compliance

#### UL Listed:

Suitable for wet locations

### IESNA LM-79 & LM-80 Testing:

RAB LED luminaires and LED components have been tested by an independent laboratory in accordance with IESNA LM-79 and LM-80.

### IP Rating:

Ingress protection rating of IP65 for dust and water

### DLC Listed:

This product is listed by Design Lights Consortium (DLC) as an ultra-efficient premium product that qualifies for the highest tier of rebates from DLC Member Utilities. Designed to meet DLC 5.1 requirements.  
DLC Product Code: PL3FKMCN05F0

### Performance

#### Lifespan:

100,000-Hour LED lifespan based on IES LM-80 results and TM-21 calculations

### Wattage Equivalency:

Equivalent to 200W Metal Halide

### LED Characteristics

#### LEDs:

Long-life, high-efficiency, surface-mount LEDs

### Electrical

#### Driver:

Constant Current, Class 2, 120-277V, 50/60 Hz, 120V: 0.40A, 208V: 0.30A, 240V: 0.20A, 277V: 0.15A

### Dimming Driver:

Driver includes dimming control wiring for 0-10V dimming systems. Requires separate 0-10V DC dimming circuit. Dims down to 10%.

### Photocell:

120-277V selectable photocell that can be turned on and off.

### Surge Protection:

L-N:4kV, L/N-GND:4KV

### Construction

#### Cold Weather Starting:

The minimum starting temperature is -40°C (-40°F)

### Ambient Temperature :

Max Power Temp Rating: 50°C (122°F)  
Middle Power Temp Rating: 50°C (122°F)  
Low Power Temp Rating: 50°C (122°F)

### Housing:

Precision die-cast aluminum housing and door frame

### Lens:

Polycarbonate lens

### Cut Off:

Full cutoff (0°)

### Finish:

Formulated for high durability and long-lasting color

### Green Technology:

Mercury and UV free. RoHS-compliant components.

### Installation

#### Mounting:

Hinged wiring access and conduit entries on the back, sides, top and bottom make installation a snap

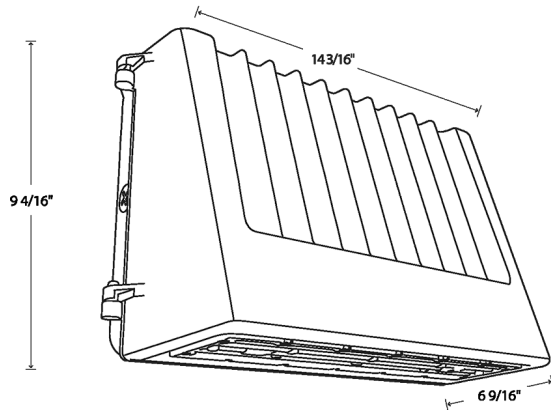
**Technical Specifications (continued)**

**Other**

**5 Yr Limited Warranty:**

The RAB 5-year, limited warranty covers light output, driver performance and paint finish. RAB's warranty is subject to all terms and conditions found at [rablighting.com/warranty](http://rablighting.com/warranty).

**Dimensions**



**Features**

- Selectable CCT
- Full cutoff
- Selectable on/off photocell
- 0-10V dimming, standard

**Ordering Matrix**

Family	Style	Wattage	Color Temp	Finish	Driver	Options
SLIM17FA	FC	40				
	FC = Full cutoff	40 = 40W 60 = 60W 100 = 100W 120 = 120W 150 = 150W	Blank = 3000/4000/5000K Adjustable	Blank = Bronze	Blank = 120-277V	Blank = Selectable On/Off Photocell /MVS = Selectable On/Off Photocell w/Microwave Motion Sensor /LCB = Lightcloud Blue /LCBS = Lightcloud Blue w/PIR Sensor /LCBS/MVS = Lightcloud Blue w/MVS Sensor