

Color: Brass

Weight: 5.7 lbs

Project:	Type:
Prepared By:	Date:

Driver Info		LED Info	
Type	Constant	Watts	26/18/12W
120V	0.26A/0.20A/0.13A	Color Temp	3000/4000/5000K
208V	0.13A/0.10A/0.07A	Color Accuracy	82-85 CRI
240V	0.17A/0.09A/0.06A	L70 Lifespan	100,000 Hours
277V	0.11A/0.08A/0.06A	Lumens	2,175-4,389 lm
Input Watts	15.2-30.5W	Efficacy	135.1-150.6 lm/W

Technical Specifications

Field Adjustability

Field Adjustable:

Field Adjustable Light Output:
26W/18W/12W (factory default 26W)
Color temperature selectable 3000K, 4000K and 5000K (factory default 4000K)

Performance

Lifespan:

100,000-Hour LED lifespan based on IES LM-80 results and TM-21 calculations

Wattage Equivalency:

26W: Replaces up to 175W Metal Halide (MH) or 150W High Pressure Sodium (HPS)
18W: Replaces up to 125W Metal Halide (MH) or 100W High Pressure Sodium (HPS)
12W: Replaces up to 100W Metal Halide (MH) or 70W High Pressure Sodium (HPS)

LED Characteristics

LEDs:

Long-life, high-efficiency, surface-mount LEDs

Electrical

Driver:

Constant Current, Class 2, 120-277V, 50/60 Hz
26W: 120V: 0.26A, 208V: 0.13A, 240V: 0.12A, 277V: 0.11A
18W: 120V: 0.20A, 208V: 0.10A, 240V: 0.09A, 277V: 0.08A
12W: 120V: 0.13A, 208V: 0.07A, 240V: 0.06A, 277V: 0.06A

Dimming Driver:

Driver includes dimming control wiring for 0-10V dimming systems. Requires separate 0-10V DC dimming circuit. Dims down to 10%.

THD:

26W: 3.4% at 120V, 4.68% at 277V
18W: 2.95% at 120V, 5.3% at 277V
12W: 3% at 120V, 8.42% at 277V

Power Factor:

26W: 99.8% at 120V, 96.5% at 277V
18W: 99.7% at 120V, 94.6% at 277V
12W: 99.4% at 120V, 89.6% at 277V

Photocell:

120-277V selectable photocell that can be turned on and off.

Surge Protection:

4kV

Construction

Cold Weather Starting:

The minimum starting temperature is -40°C (-40°F)

Maximum Ambient Temperature:

Suitable for use in up to 40°C (104°F)

Housing:

Brass

Lens:

Acrylonitrile styrene acrylate (ASA) /Acrylonitrile butadiene styrene (ABS)

Reflector:

Mirror finish on polycarbonate

Finish:

Brushed and electroplated finish that will naturally patina over time

Green Technology:

Mercury and UV free. RoHS-compliant components.

Compliance

IESNA LM-79 & LM-80 Testing:

RAB LED luminaires and LED components have been tested by an independent laboratory in accordance with IESNA LM-79 and LM-80.

Technical Specifications (continued)

ADA Compliant:

Meets ADA Requirements for wall-mounted luminaires.

IP Rating:

Ingress protection rating of IP65 for dust and water

Trade Agreements Act Compliant:

This product is a product of Cambodia and a "designated country" end product that complies with the Trade Agreements Act

DLC Listed:

This product is listed by Design Lights Consortium (DLC) as an ultra-efficient premium product that qualifies for the highest tier of rebates from DLC Member Utilities. Designed to meet DLC 5.1 requirements.

DLC Product Code: S-IHR6QX

Installation

Mounting:

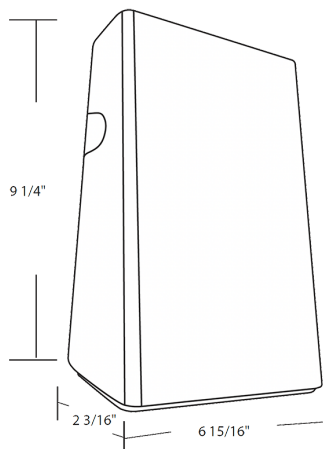
Heavy-duty mounting bracket with spring-hinged housing and "kick stand" allow for easy installations. Conduit entries on back and both sides.

Other

Warranty:

RAB warrants that our LED products will be free from defects in materials and workmanship for a period of ten (10) years from the date of delivery to the end user, including coverage of light output, color stability, driver performance and fixture finish. RAB's warranty is subject to all terms and conditions found at rablighting.com/warranty.

Dimensions



Features

- 100,000-hour LED Life
- 0-10V dimming, standard
- Selectable on/off photocell
- 10-Year, No-Compromise Warranty

Ordering Matrix

Family	Wattage	Color Temp	Finish	Driver
SLIM			BR	

Blank = 26/18/12W **Blank = 3000/4000/5000K Adjustable** **Blank = Bronze**
W = White
BR = Brass **Blank = 120-277V, 0-10V Dimming**