



Color: Bronze

Weight: 0.0 lbs

Project:	Type:
Prepared By:	Date:

Driver Info		LED Info	
Type	Constant Current	Watts	12/18/25W
120V	0.09A/0.14A/0.20A/0.21A	Color Temp	3000/4000/5000K
208V	0.07A/0.08A/0.10A/0.13A	Color Accuracy	80-83 CRI
240V	0.06A/0.07A/0.09A/0.11A	L70 Lifespan	100,000 Hours
277V	0.06A/0.07A/0.08A/0.10A	Lumens	1382-3444 lm
Input Watts	11.5-25.3W	Efficacy	116.1-142.9 lm/W

Technical Specifications

Field Adjustability

Field Adjustable:

Field Adjustable Light Output:
25/18/12W (factory default 18W)
Color temperature selectable 3000K, 4000K and 5000K (factory default 4000K)
On/Off Photocell (factory default "Off")

Performance

Lifespan:

100,000-Hour LED lifespan based on IES LM-80 results and TM-21 calculations

LED Characteristics

LEDs:

Long-life, high-efficiency, surface-mount LEDs

Electrical

Driver:

25W: Constant Current, Class 1, 120-277V, 50/60 Hz, 120V: 0.20A, 208V: 0.13A, 240V: 0.11A, 277V: 0.10A
18W: Constant Current, Class 1, 120-277V, 50/60 Hz, 120V: 0.14A, 208V: 0.10A, 240V: 0.09A, 277V: 0.08A
12W: Constant Current, Class 1, 120-277V, 50/60 Hz, 120V: 0.09A, 208V: 0.08A, 240V: 0.07A, 277V: 0.06A

Dimming Driver:

Driver includes dimming control wiring for 0-10V dimming systems. Requires separate 0-10V DC dimming circuit. Dims down to 10%.

Photocell:

120-277V selectable photocell that can be turned on and off.

Aux Power Supply:

Yes

Dim to Off:

Yes

Construction

Cold Weather Starting:

The minimum starting temperature is -40°C (-40°F)

Maximum Ambient Temperature:

Suitable for use in up to 40°C (104°F)

Housing:

Die-cast aluminum

Lens:

Tempered glass

Gaskets:

High-temperature silicone

Finish:

Formulated for high durability and long-lasting color

Green Technology:

Mercury and UV free. RoHS-compliant components.

Compliance

UL Listed:

Suitable for wet locations

IESNA LM-79 & LM-80 Testing:

RAB LED luminaires and LED components have been tested by an independent laboratory in accordance with IESNA LM-79 and LM-80.

ADA Compliant:

Meets ADA Requirements for wall-mounted luminaires.

IP Rating:

Ingress protection rating of IP65 for dust and water

Trade Agreements Act Compliant:

This product is a product of Cambodia and a "designated country" end product that complies with the Trade Agreements Act

Technical Specifications (continued)

DLC Listed:

This product is listed by Design Lights Consortium (DLC) as an ultra-efficient premium product that qualifies for the highest tier of rebates from DLC Member Utilities. Designed to meet DLC 5.1 requirements.

DLC Product Code: S-84SQ6T

Installation

Mounting:

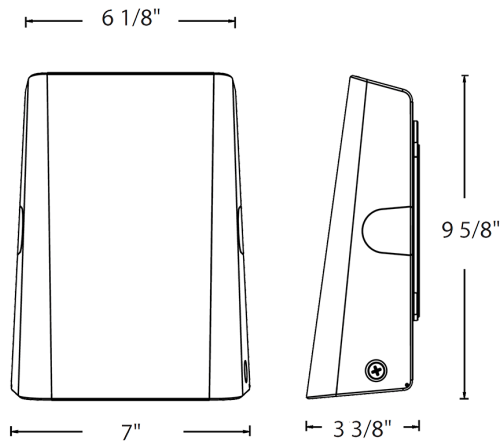
Heavy-duty mounting bracket with spring-hinged housing and "kick stand" allow for easy installations. Conduit entries on back and both sides.

Other

Warranty:

RAB warrants that our LED products will be free from defects in materials and workmanship for a period of five (5) years from the date of delivery to the end user, including coverage of light output, color stability, driver performance and fixture finish. RAB's warranty is subject to all terms and conditions found at rablighting.com/warranty.

Dimensions



Features

- 100,000-Hour LED lifespan
- 0-10V dimming standard
- 5-Year, no-compromise warranty

Ordering Matrix

Family	Wattage	Color Temp	Finish	Driver	Options
SLIM	XS				
XXS = 7/5/3.5W XS = 25/18/12W S = 38/28/18W M = 55/41/27W L = 60/45/29W		Blank = 3000K/4000K/5000K CCT Adjustable Y = 3000K Static	Blank = Bronze W = White	Blank = 120-277V, 0-10V Dimming	Blank = No Option /LC = Lightcloud /LCB = Lightcloud Blue