



<b>Project:</b>	<b>Type:</b>
<b>Prepared By:</b>	<b>Date:</b>

Driver Info		LED Info	
Type	Constant Current	Watts	24W
120V	0.22A	Color Temp	2700/3000/3500/4000/5000K
208V	N/A	Color Accuracy	90 CRI
240V	N/A	L70 Lifespan	50,000 Hours
277V	N/A	Lumens	1,800-1,950 lm
Input Watts	24W	Efficacy	75-81 lm/W

## Technical Specifications

### Performance

**Product Type:**  
Edge-lit Surface Mount

**Lumens:**  
5000K: 1,900lm  
4000K: 1,950lm  
3500K: 1,930lm  
3000K: 1,880lm  
2700K: 1,800lm

**Efficacy:**  
5000K: 79lm/W  
4000K: 81lm/W  
3500K: 80lm/W  
3000K: 78lm/W  
2700K: 75lm/W

**L70 Lifespan:**  
50,000-Hour LED lifespan based on IES LM-70 results

**Wattage Equivalency:**  
Equivalent to 125W Incandescent

### Electrical

**Driver:**  
Constant Current, 50/60 Hz 120V, 120V: 0.22A

**THD:**  
≤20%

**Power Factor:**  
≥0.9

**Input Wattage:**  
24W

**Dimmable:**  
Yes, TRIAC/ELV dims down to 10%.  
[See Dimmer Compatibility List.](#)

**Input Voltage:**  
120V

**Operating Frequency:**  
50/60Hz

**Operating Temperature:**  
-4°F to 104°F (-20°C to 40°C)

**Surge Protection:**  
2.5kV

**LED Characteristics**  
**Color Temperature:**  
Field Adjustable: 2700K,3000K,3500K,4000K,5000K

**Color Accuracy (CRI):**  
>90 CRI

**R9 Value:**  
High color performance with R9 greater than or equal to 50

**Color Consistency:**  
4-step MacAdam Ellipse binning to achieve consistent fixture-to-fixture color

**Color Stability:**  
LED color temperature is warrantied to shift no more than 200K in color temperature over a 5-year period

**Color Uniformity:**  
RAB's range of Correlated Color Temperature follows the guidelines of the American National Standard for Specifications for the Chromaticity of Solid State Lighting (SSL) Products, ANSI C78.377-2017.

### Installation

**Mounting:**  
Surface Mount

**Construction**  
**Finish:**  
Formulated for high durability and long-lasting color

**Housing Material:**  
Metal

## Technical Specifications (continued)

**Trim Style:**

Smooth

**Lens:**

Frosted lens constructed from polycarbonate material diffuses light evenly and smoothly

**Compliance**

---

**Listings:**

UL Listed

**Environment:**

Suitable for use in indoor and outdoor application in dry, damp, and wet environments

**UV Protection:**

Fade-resistant powder spray polyester

**California Title 24 JA8 Compliant:**

Can be used to conform with the requirements of California Title 24 Part 6

**California Energy Commission (CEC) Status:**

Lawful for Sales in California

**NEC Compliant:**

Suitable for use in closets. Compliant with NEC Sec. 410.16 (A)(1) and 410.16 (C3).

**IESNA LM-79 & LM-80 Testing:**

RAB LED luminaires and LED components have been tested by an independent laboratory in accordance with IESNA LM-79 and LM-80.

**RoHS:**

Mercury and UV free. RoHS-compliant components.

**FCC:**

Complies with Part 15B of the FCC Rules

**Trade Agreements Act Compliant:**

This product is a product of Cambodia and a "designated country" end product that complies with the Trade Agreements Act

**Other**

---

**Compatible Products:**

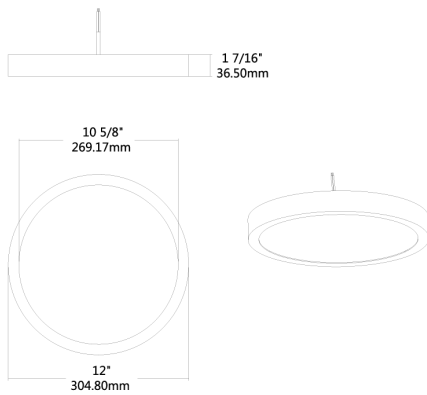
[DRI-25-EMGR-DC](#)

[25W Emergency Driver](#)

**Warranty:**

RAB warrants that our LED products will be free from defects in materials and workmanship for a period of five (5) years from the date of delivery to the end user, including coverage of light output, color stability, driver performance and fixture finish. RAB's warranty is subject to all terms and conditions found at [rablighting.com/warranty](http://rablighting.com/warranty).

## Dimensions



## Features

Select from 5 field-adjustable color temperatures 5000K, 4000K, 3500K, 3000K, or 2700K

Suitable for indoor/outdoor applications in dry, damp, or wet environments

TRIAC/ELV dims down to 10%. See Dimmer Compatibility List.

Meets California Title 24 requirements

50,000-Hour LED lifespan

5-Year, No-Compromise Warranty

120V