

Technical Specifications (continued)**Construction**

Size:
15"

Shape:
Round

Finish:
Formulated for high durability and long-lasting color

Housing Material:
Metal

Trim Style:
Smooth

Lens:
Frosted lens constructed from polycarbonate material diffuses light evenly and smoothly

Compliance

Listings:
UL Listed

Environment:
Suitable for use in indoor and outdoor application in dry, damp, and wet environments

UV Protection:
Fade-resistant powder spray polyester

California Title 24 JA8 Compliant:
Can be used to conform with the requirements of California Title 24 Part 6

California Energy Commission (CEC) Status:
Lawful for Sales in California

NEC Compliant:
Suitable for use in closets. Compliant with NEC Sec. 410.16 (A)(1) and 410.16 (C3).

IESNA LM-79 & LM-80 Testing:
RAB LED luminaires and LED components have been tested by an independent laboratory in accordance with IESNA LM-79 and LM-80.

RoHS:
Mercury and UV free. RoHS-compliant components.

FCC:
Complies with Part 15B of the FCC Rules

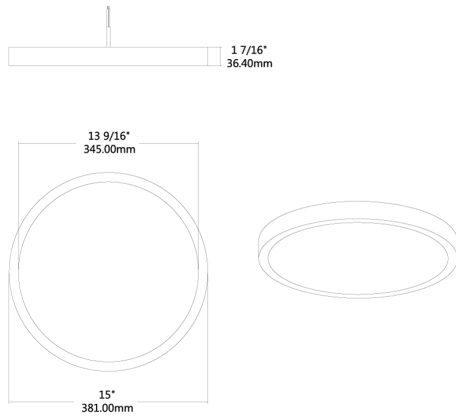
Trade Agreements Act Compliant:

This product is a product of Cambodia and a "designated country" end product that complies with the Trade Agreements Act

Other**Warranty:**

RAB warrants that our LED products will be free from defects in materials and workmanship for a period of five (5) years from the date of delivery to the end user, including coverage of light output, color stability, driver performance and fixture finish. RAB's warranty is subject to all terms and conditions found at rablighting.com/warranty.

Dimensions



Features

Select from 5 field-adjustable color temperatures 5000K, 4000K, 3500K, 3000K, or 2700K

Suitable for indoor/outdoor applications in dry, damp, or wet environments

0-10V and TRIAC/ELV dims down to 10%. See Dimmer Compatibility List

Meets California Title 24 requirements

50,000-Hour LED lifespan

5-Year, No-Compromise Warranty

120V-277V