



The SUMO offers a sleek, low-profile design that adds a modern look to any space. They are easy to install with field adjustable color temperature, affordable, and a stylish options for new construction or retrofit.

Color: White

Weight: 3.4 lbs

Project:	Type:
Prepared By:	Date:

Driver Info		LED Info	
Type	Constant Current	Watts	26W
120V	0.24A	Color Temp	2700/3000/3500/4000/5000K
208V	N/A	Color Accuracy	90 CRI
240V	N/A	L70 Lifespan	50,000 Hours
277V	N/A	Lumens	1,950-2,200 lm
Input Watts	26W	Efficacy	75-85 lm/W

Technical Specifications

Performance

Product Type:

Edge-lit Surface Mount

Input Wattage:

26W

Lumens:

5000K: 2,200lm
 4000K: 2,200lm
 3500K: 2,150lm
 3000K: 2,050lm
 2700K: 1,950lm

Efficacy:

5000K: 85lm/W
 4000K: 85lm/W
 3500K: 83lm/W
 3000K: 78lm/W
 2700K: 75lm/W

L70 Lifespan:

50,000-Hour LED lifespan based on IES LM-70 results

Wattage Equivalency:

Equivalent to 150W Incandescent

Electrical

Driver:

Constant Current, 50/60 Hz 120V, 120V: 0.24A

THD:

≤20%

Power Factor:

≥0.9

Dimmable:

Yes, TRIAC/ELV dims down to 10%.
 See [Dimmer Compatibility List](#).

Input Voltage:

120V

Operating Frequency:

50/60Hz

Operating Temperature:

-4°F to 104°F (-20°C to 40°C)

Surge Protection:

2.5kV

LED Characteristics

Color Temperature:

Field Adjustable: 2700K,3000K,3500K,4000K,5000K

Color Accuracy (CRI):

>90 CRI

R9 Value:

High color performance with R9 greater than or equal to 50

Color Consistency:

4-step MacAdam Ellipse binning to achieve consistent fixture-to-fixture color

Color Stability:

LED color temperature is warrantied to shift no more than 200K in color temperature over a 5-year period

Color Uniformity:

RAB's range of Correlated Color Temperature follows the guidelines of the American National Standard for Specifications for the Chromaticity of Solid State Lighting (SSL) Products, ANSI C78.377-2017.

Installation

Mounting:

Surface Mount

Construction

Size:

15"

Shape:

Round

Technical Specifications (continued)**Finish:**

Formulated for high durability and long-lasting color

Housing Material:

Metal

Trim Style:

Smooth

Lens:

Frosted lens constructed from polycarbonate material diffuses light evenly and smoothly

Compliance**Listings:**

UL Listed

Environment:

Suitable for use in indoor and outdoor application in dry, damp, and wet environments

UV Protection:

Fade-resistant powder spray polyester

California Title 24 JA8 Compliant:

Can be used to conform with the requirements of California Title 24 Part 6

California Energy Commission (CEC) Status:

Lawful for Sales in California

NEC Compliant:

Suitable for use in closets. Compliant with NEC Sec. 410.16 (A)(1) and 410.16 (C3).

IESNA LM-79 & LM-80 Testing:

RAB LED luminaires and LED components have been tested by an independent laboratory in accordance with IESNA LM-79 and LM-80.

RoHS:

Mercury and UV free. RoHS-compliant components.

FCC:

Complies with Part 15B of the FCC Rules

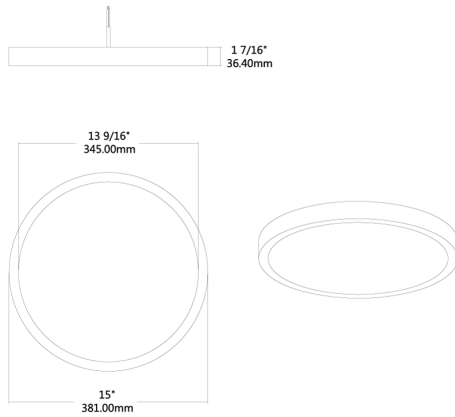
Trade Agreements Act Compliant:

This product is a product of Cambodia and a "designated country" end product that complies with the Trade Agreements Act

Other**Warranty:**

RAB warrants that our LED products will be free from defects in materials and workmanship for a period of five (5) years from the date of delivery to the end user, including coverage of light output, color stability, driver performance and fixture finish. RAB's warranty is subject to all terms and conditions found at rablighting.com/warranty.

Dimensions



Features

Select from 5 field-adjustable color temperatures 5000K, 4000K, 3500K, 3000K, or 2700K

Suitable for indoor/outdoor applications in dry, damp, or wet environments

TRIAC/ELV dims down to 10%. See Dimmer Compatibility List.

Meets California Title 24 requirements

50,000-Hour LED lifespan

5-Year, No-Compromise Warranty

120V