



Project:	Type:
Prepared By:	Date:

Driver Info		LED Info	
Type	Constant Current	Watts	18W
120V	0.17A	Color Temp	2700/3000/3500/4000/5000K
208V	N/A	Color Accuracy	90 CRI
240V	N/A	L70 Lifespan	50,000 Hours
277V	N/A	Lumens	1,500 lm
Input Watts	18W	Efficacy	82

Technical Specifications

Performance

Product Type:

SUMO w/PIR

Description :

Contemporary round surface mount with integrated motion sensor and photocell. Adjustable dip switches for color temperature, motion modes, and hold times.

Wattage Equivalency:

75W Incandescent

Input Wattage:

18W

Lumens (Nominal):

1,500lm

Efficacy:

82lm/W

L70 Lifespan:

50,000-Hour LED lifespan based on IES LM-70 results

Electrical

Driver:

Constant Current 120V 60 Hz; 120V: 170mA

Power Factor:

≥0.9

Dimmable:

No

Flicker:

≤30%

Construction

Operating Temperature Range:

-4°F - 104°F (-20°C - 40°C)

Size:

9"

Shape:

Round

Finish:

White

Enclosure Material:

Plastic

Trim Style:

Smooth

Lens Finish:

Frosted

Lens:

Polycarbonate light diffuser distributes light evenly and smoothly for general lighting applications

Sensor Settings

Sensor Connection Type:

Intergrated

Max Mounting Height:

6 1/2 ft

Detection Range:

13 ft diameter at 6 1/2 ft mounting height

Sensor Technology:

Passive Infrared (PIR)

Adjustable Sensor Settings?:

Integrated dip switches to adjust motion modes and hold times

Technical Specifications (continued)

Motion Modes:

Auto (default): Light OFF during the day, stays OFF at night, turns ON at 100% brightness when motion is detected and stays on until the specified hold time expires and the light turns OFF.

Bi-Level: Light OFF during the day, stays OFF at night, turns ON at 100% brightness when motion is detected and stays on until the specified hold time expires, light reduces to 50% brightness until the specified hold time expires and the light turns OFF.

Off: Motion detection is disabled.

Hold Times:

30 seconds (default), 5 minutes, 10 minutes

Photocell:

Dawn to dusk

LED Characteristics

Beam Angle:

110°±10°

Color Temperature:

Default 3000K

Field adjustable via dip switch
2700/3000/3500/4000/5000K

Color Accuracy (CRI):

90 CRI

R9 Value:

High color performance with R9 greater than 50

Color Consistency:

<4-step MacAdam Ellipse binning to achieve consistent fixture-to-fixture color

Color Stability:

LED color temperature is warranted to shift no more than 200K in color temperature over a 5-year period

Color Uniformity:

RAB's range of Correlated Color Temperature follows the guidelines of the American National Standard for Specifications for the Chromaticity of Solid State Lighting (SSL) Products, ANSI C78.377-2017.

Installation

Mounting:

Surface Mount

Compliance

Listings:

UL Listed

Environment:

Suitable for use indoors in dry and damp environments.

IC Rated:

No

Air Tight:

No

Energy Star Approved:

This product is ENERGY STAR® Certified.

Certification Model Number:

DLS0195(SUMO-R-9/PIR)

California Title 20 Compliant:

No

California Title 24 JA8 Compliant:

Can be used to conform with the requirements of California Title 24 Part 6

California Energy Commission (CEC) Status:

Lawful for Sales in California

IESNA LM-79 & LM-80 Testing:

RAB LED luminaires and LED components have been tested by an independent laboratory in accordance with IESNA lm-79 and lm-80.

RoHS:

Mercury and UV free. RoHS-compliant components.

FCC:

Complies with Part 15 of the FCC Rules

Trade Agreements Act Compliant:

This product is a product of Cambodia and a "designated country" end product that complies with the Trade Agreements Act

Other

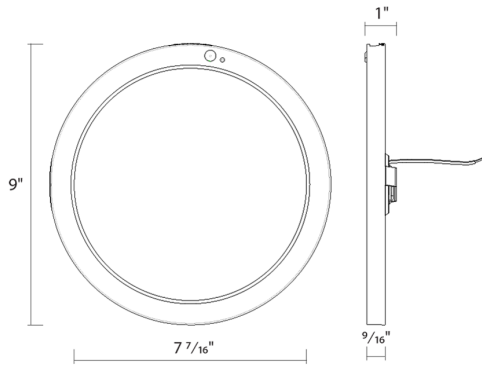
Compatible Accessories:

None

5-Year, No-Compromise Warranty:

RAB warrants that our LED products will be free from defects in materials and workmanship for a period of five (5) years from the date of delivery to the end user, including coverage of light output, color stability, driver performance and fixture finish. RAB's warranty is subject to all terms and conditions found at rablighting.com/warranty.

Dimensions



Features

- Field-adjustable options for color temperature (2700/3000/3500/4000/5000K)
- Integrated PIR sensor with adjustable motion modes and hold times
- Integrated dusk-to-dawn photocell
- 120V, non-dimmable
- 50,000 hrs., Wet Rated, EnergyStar, 5-year, no-compromise warranty

Ordering Matrix

Family	Shape	Size/Wattage	CRI/Color Temp	Driver	Finish	Trim	Controls
SUMO	R	9					/PIR
	R = Round	5 = 5.5", 10W 7 = 7", 14W 9 = 9", 18W	Blank = 90 CRI, CCT Adjustable	Blank = 120V	Blank = White	Blank = Smooth	/PIR = Passive Infrared Occupancy Sensor + Photocell