



Project:	Type:
Prepared By:	Date:

Driver Info		LED Info	
Type	Constant Current	Watts	18W
120V	0.17A	Color Temp	2700/3000/3500/4000/5000K
208V	N/A	Color Accuracy	90 CRI
240V	N/A	L70 Lifespan	50,000 Hours
277V	N/A	Lumens	1,150 lm
Input Watts	18W	Efficacy	64

Technical Specifications

Performance

Product Type:

Surface Mount

Description:

The SUMO offers a sleek, low-profile design that adds a modern look to any new construction or retrofit space. They are affordable and easy to install, with field-adjustable color temperature.

Wattage Equivalency:

75W Incandescent

Input Wattage:

18W

Lumens:

2700K @ 1,182lm; 3000K @ 1,221lm; 3500K @ 1,278lm; 4000K @ 1,305lm; 5000K @ 1,299lm

Efficacy:

2700K @ 68lm/W; 3000K @ 70lm/W; 3500K @ 73lm/W; 4000K @ 75lm/W; 5000K @ 74lm/W

L70 Lifespan:

50,000-Hour LED lifespan based on IES LM-70 results

Electrical

Driver:

Constant Current, Class 2, 60 Hz, 120V: 0.17A

Power Factor:

≥0.9

Dimmable:

Yes, dimmable down to 10% on compatible TRIAC/ELV dimming systems.

Input Voltage:

120V

Operating Frequency:

60 Hz

Input Current @ 120V (mA):

167mA

Operating Temperature:

-4°F to 104°F (-20°C to 40°C)

Flicker:

≤30%

LED Characteristics

Beam Angle:

110°±10°

Color Temperature:

Field adjustable via dip switch
2700/3000/3500/4000/5000K

Color Accuracy (CRI):

>90 CRI

R9 Value:

High color performance with R9 greater than or equal to 50

Color Consistency:

4-step MacAdam Ellipse binning to achieve consistent fixture-to-fixture color

Color Stability:

LED color temperature is warranted to shift no more than 200K in color temperature over a 5-year period

Color Uniformity:

RAB's range of Correlated Color Temperature follows the guidelines of the American National Standard for Specifications for the Chromaticity of Solid State Lighting (SSL) Products, ANSI C78.377-2017.

Installation

Mounting:

Surface mount

Construction

Size:

9"

Technical Specifications (continued)**Shape:**

Round

Finish:

White

Enclosure Material:

Metal

Trim Style:

Smooth

Lens:

Polycarbonate light diffuser distributes light evenly and smoothly for general lighting applications

Compliance**Listings:**

UL Listed

Environment:

Suitable for use in dry, damp, and wet environments.

IC Rated:

No

Air Tight:

No

Energy Star Approved:

This product is ENERGY STAR® Version 2.2 Certified.

Certification Model Number:

DAS0002(DAISYKIT6)

T20 Compliant:

No

California Title 24:

Can be used to conform with the requirements of California Title 24 Part 6.

California Energy Commission (CEC) Status:

Lawful for Sales in California

NEC Compliant:

Suitable for use in closets. Compliant with NEC Sec. 410.16 (A)(1) and 410.16 (C1).

IESNA LM-79 & LM-80 Testing:

RAB LED luminaires and LED components have been tested by an independent laboratory in accordance with IESNA LM-79 and LM-80.

RoHS Compliant:

Mercury and UV free. RoHS-compliant components.

FCC:

Complies with Part 15 of the FCC Rules

Trade Agreements Act Compliant:

This product is a product of Cambodia and a "designated country" end product that complies with the Trade Agreements Act

Other**Accessories:**[SM-9R-W/EMBB](#)

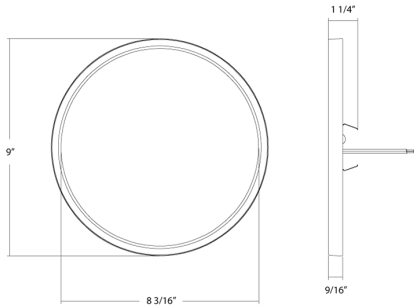
Emergency battery backup driver (field installed)

[SM-9R-CASE](#)

EXTENDER FOR 9" SUMO

Warranty:RAB warrants that our LED products will be free from defects in materials and workmanship for a period of five (5) years from the date of delivery to the end user, including coverage of light output, color stability, driver performance and fixture finish. RAB's warranty is subject to all terms and conditions found at rablighting.com/warranty.

Dimensions



Features

- Surface or Recessed mounting options
- Select from 5 field-adjustable color temperatures 2700K, 3000K, 3500K, 4000K, or 5000K
- Suitable for wet and damp locations
- Dims down to 10% on compatible TRIAC/ELV dimming systems, see Dimmer Compatibility List
- Meets California Title 24 requirements

Ordering Matrix

Family	Shape	Size (Wattage)	Color Temp	Driver	Finish
SUMO	R	9			
	R = Round S = Square	5 = 5.5", (10W) 7 = 7", (14W) 9 = 9", (18W)	Blank = 2700/3000/3500/4000/5000K CCT Adjustable	Blank = 120V	Blank = White