



Project:	Type:
Prepared By:	Date:

Driver Info		LED Info	
Type	Constant Current	Watts	13W
120V	0.12A	Color Temp	2700/3000/3500/4000/5000K
208V	N/A	Color Accuracy	90 CRI
240V	N/A	L70 Lifespan	50,000 Hours
277V	N/A	Lumens	903-1,013 lm
Input Watts	13W	Efficacy	70

Technical Specifications

Performance

Product Type:

Surface Mount

Description:

Ultra-economy slim surface mount with 5 field selectable color temperatures. Ideal for commercial or residential applications for retrofit or new construction projects.

Wattage Equivalency:

60W Incandescent

Input Wattage:

13W

Lumens:

903lm @ 2700K; 956lm @ 3000K; 999lm @ 3500K; 1,013lm @ 4000K; 997lm @ 5000K

Efficacy:

70lm/W @ 2700K; 75lm/W @ 3000K; 80lm/W @ 3500K; 80lm/W @ 4000K; 77lm/W @ 5000K

L70 Lifespan:

50,000-Hour LED lifespan based on IES LM-70 results

Driver:

Constant Current, 60 Hz, 120V, 120V: 0.12A

Electrical

Power Factor:

≥0.9

Dimmable:

Yes, dimmable down to 10% on compatible TRIAC/ELV dimming systems. See Dimmer Compatibility List.

Input Voltage:

120V

Operating Frequency:

60 Hz

Input Current @ 120V (mA):

127mA

Operating Temperature:

-4°F to 104°F (-20°C to 40°C)

Flicker:

≤30%

LED Characteristics

Beam Angle:

110°±10°

Color Temperature:

Field adjustable via dip switch
2700/3000/3500/4000/5000K

Color Accuracy (CRI):

>90 CRI

R9 Value:

High color performance with R9 greater than or equal to 50

Color Consistency:

4-step MacAdam Ellipse binning to achieve consistent fixture-to-fixture color

Installation

Mounting:

Surface Mount

Construction

Size:

12"

Shape:

Round

Finish:

White

Enclosure Material:

Plastic

Trim Style:

Smooth

Technical Specifications (continued)**Lens:**

Polycarbonate light diffuser distributes light evenly and smoothly for general lighting applications

Compliance

Listings:

UL Listed

Environment:

Suitable for use in dry, damp, and wet environments.

IC Rated:

No

Air Tight:

No

DLC Listed:

No

Certification Model Number:

DLS0180(SUMO34-R-12)

T20 Compliant:

No

California Title 24 JA8 Compliant:

Can be used to conform with the requirements of California Title 24 Part 6

California Energy Commission (CEC) Status:

Lawful for Sales in California

NEC Compliant:

Suitable for use in closets. Compliant with NEC Sec. 410.16 (A)(1) and 410.16 (C1).

IESNA LM-79 & LM-80 Testing:

RAB LED luminaires and LED components have been tested by an independent laboratory in accordance with IESNA LM-79 and LM-80.

RoHS:

Mercury and UV free. RoHS-compliant components.

FCC:

Complies with Part 15 of the FCC Rules

Trade Agreements Act Compliant:

This product is a product of Cambodia and a "designated country" end product that complies with the Trade Agreements Act

Other

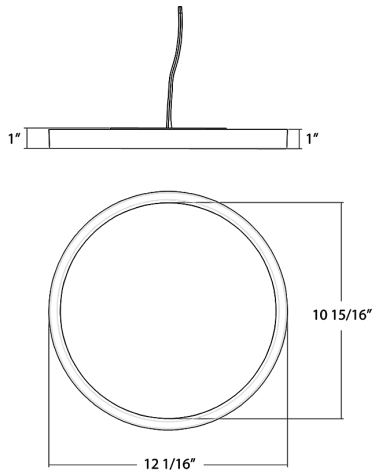
Accessories:

None

5 Yr Limited Warranty:

The RAB 5-year, limited warranty covers light output, driver performance and paint finish. RAB's warranty is subject to all terms and conditions found at rablighting.com/warranty.

Dimensions



Features

- Ultra slim profile
- Field-selectable color temperature 2700/3000/3500/4000/5000K
- Dimmable on TRIAC/ELV, see Dimmer Compatibility List
- Ideal for both commercial and residential applications
- Suitable for indoor/outdoor applications in dry, damp, or wet environments.

Ordering Matrix

Family	Shape	Size/Wattage	CRI/Color Temp	Driver	Finish
SUMO34	R	12			
	R = Round	12 = 12", 13W 15 = 15", 17W	Blank = 90 CRI, 2700/3000/3500/4000/5000K CCT Adjustable	Blank = 120V	Blank = White