



Project:	Type:
Prepared By:	Date:

Driver Info		LED Info	
Type	Constant Current	Watts	29W
120V	0.26A	Color Temp	4000K (Neutral)
208V	0.14A	Color Accuracy	83 CRI
240V	0.12A	R9	5.9
277V	0.11A	L70 Lifespan	100,000 Hours
Input Watts	28.1W	Lumens	3,355 lm
		Efficacy	119.4 lm/W

Technical Specifications

Compliance

UL Listed:

Suitable for dry and damp locations.

Trade Agreements Act Compliant:

This product is a product of Cambodia and a "designated country" end product that complies with the Trade Agreements Act

DLC Listed:

This product is on the Design Lights Consortium (DLC) Qualified Products List and is eligible for rebates from DLC Member Utilities. Designed to meet DLC 5.1 requirements.
DLC Product Code: PZSBTP76

Electrical

Driver:

Constant Current, Class 2, 120-277V, 50/60 Hz, 120V: 0.24A, 208V: 0.14A, 240V: 0.12A, 277V: 0.11A

Dimming Driver:

Driver includes dimming control wiring for 0-10V dimming systems. Requires separate 0-10V DC dimming circuit. Dims down to 10%.

THD:

5.44% at 120V, 11.85% at 277V

Power Factor:

99.7% at 120V, 97.4% at 277V

Surge Protection:

2kV

Construction

Operating Temperature:

-20°C (-4°F) to 40°C (104°F)

IC Rated:

Suitable for direct contact with insulation

Housing:

Sheet metal and extruded aluminum

Reflector:

Aluminum with high reflectance white finish, optimized for uniform distribution.

Lens:

Frosted polystyrene

Finish:

Formulated for high durability and long-lasting color

Green Technology:

Mercury and UV free. RoHS-compliant components.

Installation

Mounting:

Recessed into T-grid ceiling. Surface and recessed mounting kits available for drywall ceilings.

LED Characteristics

LEDs:

Long-life, high-efficacy, discrete, surface-mount LEDs

Color Stability:

LED color temperature is warrantied to shift no more than 200K in color temperature over a 5-year period

Color Uniformity:

RAB's range of Correlated Color Temperature follows the guidelines of the American National Standard for Specifications for the Chromaticity of Solid State Lighting (SSL) Products, ANSI C78.377-2017.

Performance

Lifespan:

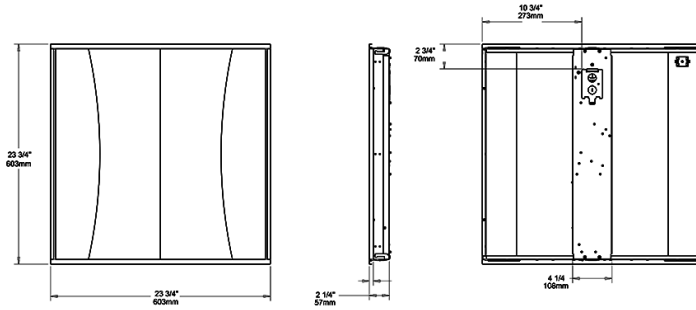
100,000-Hour LED lifespan based on IES LM-80 results and TM-21 calculations

Other

Warranty:

RAB warrants that our LED products will be free from defects in materials and workmanship for a period of five (5) years from the date of delivery to the end user, including coverage of light output, color stability, driver performance and fixture finish. RAB's warranty is subject to all terms and conditions found at rablighting.com/warranty.

Dimensions



Features

- Contemporary LED centerbasket with direct/indirect illumination
- Field-adjustable light output (3 discrete steps) - can be changed before, during or after installation
- 100,000-Hour LED lifespan

Ordering Matrix

Family	Size		CRI/Color Temp	Driver	Options
SWISHFA-EDGE	2X2	-	840	U	
	2X4 = 29/39/49W 2X2 = 19/29/39W		840 = 80 CRI, 4000K Neutral 835 = 80 CRI, 3500K Warm Neutral	U = 0-10V Dimming	/LCBS/E2 = Lightcloud Blue w/PIR Sensor w/Battery Backup /LCB/E2 = Lightcloud Blue w/Battery Backup /LCBS = Lightcloud Blue w/PIR Sensor /LCB = Lightcloud Blue /MVS/E2 = Microwave Occupancy Sensor w/Battery Backup /LCS/E2 = Lightcloud Sensor w/Battery Backup /LC/E2 = Lightcloud w/Battery Backup /MVS = Microwave Occupancy Sensor /LCS = Lightcloud Sensor /LC = Lightcloud /E2 = Battery Backup Blank = No Option