



# LEDVANCE LAMPS

## LEDlescent™ LED T8 EMBB

### UL TYPE B LAMPS



#### LEDVANCE LAMP SPECIFICATION DATA

Catalog #	Comments
Project	
Type	
Prepared by	



### APPLICATION

LEDlescent T8 Ballast-Free lamps are an energy saving alternative, designed to replace traditional fluorescent T8/T12 lamps by bypassing the existing ballast. These LED T8 lamps contain no mercury, provide instant light and a uniform light distribution. Engineered to operate directly on 120-277V, these lamps minimize labor and recycling costs. These lamps can be used with occupancy and vacancy sensors for enhanced energy savings.

When installing the LEDlescent T8 lamps, the UL rating of the existing fixture is not voided (even when it is electrically modified) since our LEDlescent T8 lamp is UL Classified (as a luminaire conversion retrofit kit) under UL standard 1598C. UL 1598C is the standard covering LED retrofits intended for an existing UL rated fixture. Since the user is retrofitting with a UL1598C classified LED kit, the installer must follow the installation instructions included with the lamps for the modified fixture to retain its UL rating.

These lamps are certified to UL924 which is the ANSI standard for Emergency Lighting and Power equipment. This means the product is code compliant nationwide providing peace of mind to users.

### BENEFITS & FEATURES

- Easy battery shutoff switch ships in “OFF” mode to preserve battery life
- Built in lithium battery
- Two functions from one tube: regular T8 lamp with backup battery for emergency operation
- CCT select to match the other lamps in the luminaire (3500K, 4100K, 5000K )
- CRI > 80
- Regular mode: 14.5W power and 2000 lumens
- Emergency mode: 3.5W and 430 lumens
- No warm-up time, instant-on with full light output
- Beam angle: 200° with internally coated glass optics
- No UV emission
- Suitable for dry and damp locations
- Installed directly on 120-277 VAC
- Non-Dimmable (No DLC 5.1)



### RATED LIFE

- 50,000 hours (L<sub>70</sub>)

### OPERATING TEMPERATURE

- 32° F to +113° F (0°C to +45°C)

### MAXIMUM CASE TEMPERATURE

- 145° F (63°C)

### STORAGE TEMPERATURE

- 23° F to +113° F (-5°C to +45°C)

### CERTIFICATIONS & LISTINGS

- cULus 1598c
- RoHS
- Lead Free
- UL 924
- FCC Part 15B
- Mercury Free

### WARRANTY

- 5 year
- NLB Trusted Warranty Program

### INSTALLATION

- Please refer to the Installation manual included inside the packaging and the applications information listed below for more information.
- When using UL Type B lamps, you must affix the luminaire warning sticker provided in each package to meet the UL requirements. The sticker must be visible to installers.

## ORDERING GUIDE

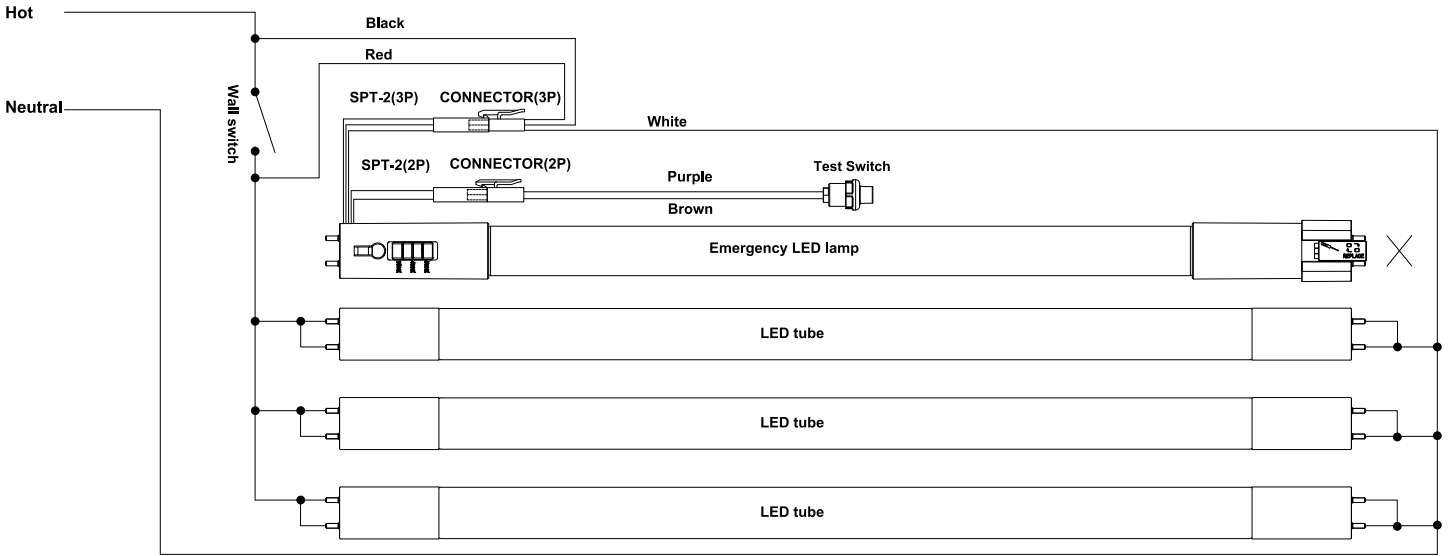
LED	14	T8	L48	FG	8	SC7	BF	E
PRODUCT NAME	WATTAGE	LAMP TYPE	LENGTH	COLOR/FINISH	CRI	COLOR TEMP	OPERATION	EMERGENCY
LED = LED Lamp	14 = 14 Watts	T8	L48 = 48"	FG = Frosted Glass	8 = 82	SC7 = CCT Select (3500K/4100K/5000K)	BF = Ballast Free	E = Emergency Battery Backup

## ORDERING INFORMATION

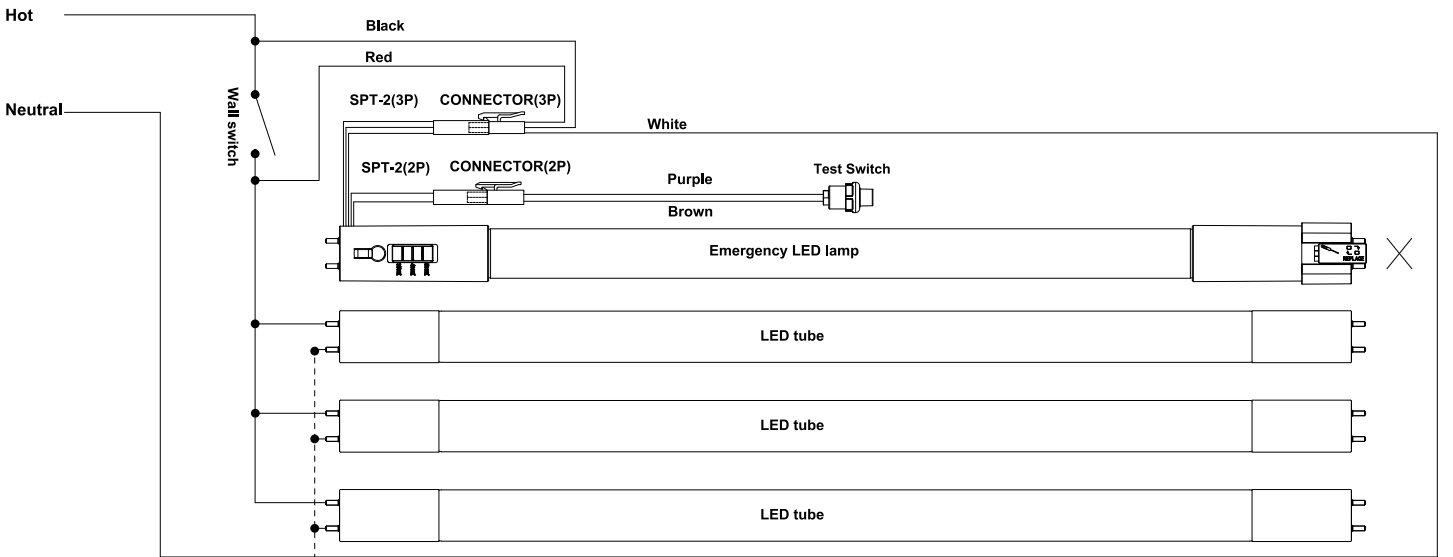
ITEM #	42169
ORDERING ABBREVIATION	LED14T8L48FG8SC7BFE
WATTAGE (FULL POWER)	14
WATTAGE (EM MODE)	3.5
BASE TYPE	G13
REPLACES	FO328XXECO / F32T8
INPUT VOLTAGE (V)	120-277V
AVERAGE LIFE (HRS)	50,000
CCT	3500K/4100K/5000K
CASE QTY	10
TYPICAL LUMENS (FULL POWER)	2000
TYPICAL LUMEN (EM MODE)	430
CRI	>80
POWER FACTOR	> 0.90
BULB FINISH	Frosted Glass
PRODUCT WEIGHT (G/LB)	292/0.64

# UL TYPE B EMBB LAMP — WIRING DIAGRAM (DIRECT WIRE, BALLAST-FREE)

## LUMINAIRES WITH DOUBLE-ENDED WIRING

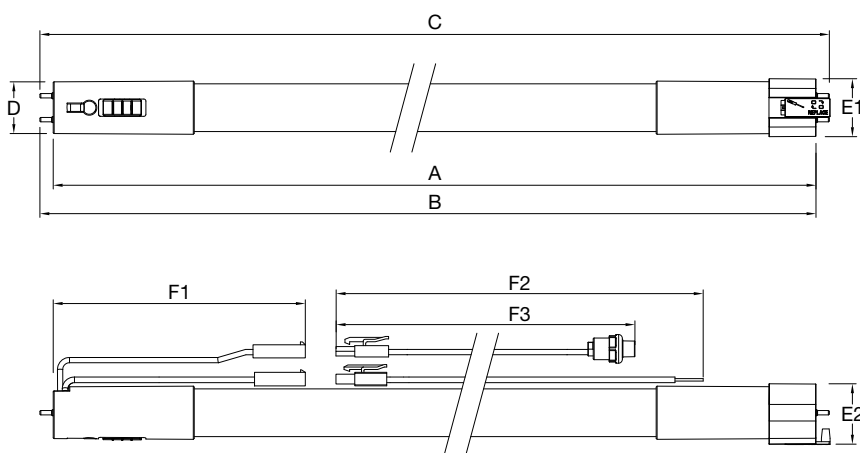


## LUMINAIRES WITH SINGLE-ENDED WIRING



## PHYSICAL INFORMATION

LAMP DESCRIPTION	LED14T8L48FG8SC7BFE
A: BASE FACE TO BASE FACE	max 47.78" (1213.6mm)
B: BASE FACE TO OPPOSITE BASE PIN	max 47.22" ± 0.05" (1199.4mm ± 1.25mm)
C: END OF BASE PIN TO END OF OPPOSITE PIN END	47.5" ± 0.055" (1206.5mm ± 1.4mm)
D: DIAMETER	1.1" ± 0.08" (25.9mm±2.0mm)
E1: DIAMETER WITHOUT ADAPTOR	1.17" ± 0.05" (29.8mm ± 2mm)
E2: DIAMETER WITH ADAPTOR	1.24" ± 0.05" (31.5mm ± 2mm)



## APPLICATION NOTES

- Please read and comply with all instructions before attempting installation
- All installation, inspection, and maintenance of lighting fixtures should be done with the power to the fixture turned off. Lamps should be installed and operated in compliance with the National Electrical Code (NEC), Underwriters Laboratories Inc. (UL) requirements, and all applicable codes and regulations
- Please do not install LED lamps and fluorescent lamps in the same fixture
- Do not install LED Type B Emergency Back up lamps in the same fixture as Type A, ballast-compatible lamps
- Ensure lamp holders/sockets are in good operating condition before installation
- Best practice: cap off the remaining ballast wires should the ballast be left in the fixture after disconnecting
- If the luminaire mounting height is more than 8ft, add an additional EMBB lamp(s) to the luminaire to meet the required foot candle levels (per ANSI).
- To prevent wiring damage or abrasion, do not expose wiring to edges of sheet metal or other sharp objects. Do not make or alter any open holes in an enclosure of wiring or electrical components during kit installation
- When using LEDlescent lamps, to conform to UL, you MUST affix the luminaire warning sticker, included inside the packaging, to the fixture during installation
- EM ballast that operates with fluorescent ballasts must be disconnected from the lamps
- Make sure the lamps have the proper connections before restoring power
- Operating temperature range between 32°F and 113°F (0°C and 45°C)
- Storage temperature range between 23°F and 113°F (-5°C and 45°C)
- Suitable for use in dry and damp environments.
- For detailed warranty information, please see [www.ledvanceUS.com](http://www.ledvanceUS.com)



LEDVANCE LLC  
181 Ballardvale Street, Suite 203  
Wilmington, MA 01887 USA  
Phone: 1-800-LIGHTBULB (1-800-544-4828)  
www.ledvanceUS.com

LEDVANCE is a registered trademark.  
All other trademarks are those of their respective owners.  
Specifications subject to change without notice.



SCAN TO FOLLOW US  
ON SOCIAL MEDIA