

ADS12R9

12" Surface Mount Edgelit Disk 22W



Project: _____

Location: _____

Model: _____ Qty: _____

Notes: _____

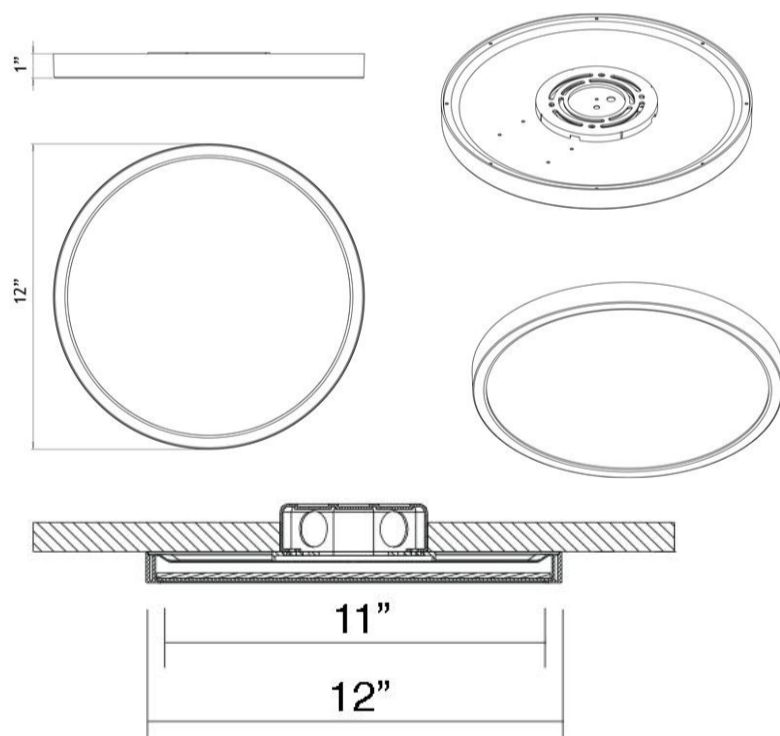
DESCRIPTION

12" Multi-Purpose Surface Mounted Energy-Efficient Fixture
 Low Profile With Narrow Flange For Elegant Appearance

FEATURES & BENEFITS

- Triac & 0-10V Dimmable options
- Wet Location Approved - Suitable For Indoor & Outdoor Installations
- Options of 3000K, 4000K, 5CCT user selectable or Dim to Warm 3000-2200K
- Flicker Free - AC Design for the single and 5CCT Triac Dimmable models
- High efficiency DC driver for the Dim to Warm and 0-10V Dimmable models
- White & Black (BK for 5CCT Triac model only) trims in stock
- Fast & Easy to Install in J-Box - Save on Labor
- CRI 90+ for True Color Rendering

DIMENSIONS



SPECIFICATION	
Applications	Residential, Commercial, Hospitality, Multi Family
Power	22 W
Color Temperature (K)	2700 - 3000 - 3500 - 4000 - 5000 - DTW 3000-2200K
Light Output Triac Dim (lm)	1320 - 1410 - 1560 - 1570 - 1450 - 2120 (at 3K)
Light Output 0-10V Dim (lm)	1695 - 1810 - 1940 - 1970 - 1890
Halogen Equivalent	150-200 W
Beam Angle	100°
CRI	90 +
Input & Dimming	120V AC 50/60 Hz - Triac Dimmable
	120V-277V AC 60 Hz - 0-10V Dimmable
Approved Location	Wet Locations
Air Tight	No
Ambient Temperature	-4°F (-20°C) to +104°F (+40°C)
Projected Life	70% Light Output at 50,000 Hours
Certification	cETLus, T24
Warranty	5 Year

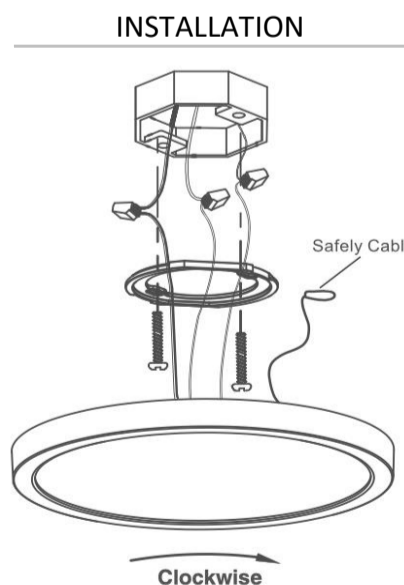
ORDERING GUIDE

	CCT	Trim
ADS12R9-3K-WH	3000K	White
ADS12R9-4K-WH	4000K	White
ADS12R9-5CCT-WH	5CCT	White
ADS12R9-DTW-D-WH	Dim to Warm	White
ADS12R-5CCT-D010UNV-WH	5CCT 0-10V	White
ADS12R9-5CCT-BK	5CCT	Black

5CCT is 2700-3000-3500-4000-5000K user selectable
 Dim to Warm is from 3000 to 2200K



Triac Dimmable version 120V



0-10V Dimmable version 120-277V

Dim to Warm and 0-10V versions are with a DC driver design, therefore more efficient and brighter