



ADS2FGSTRGBCW

2" Round Smart RGB & Tunable White Adjustable Gimbal LED



Project: _____

Location: _____

Model: _____ Qty: _____

Notes: _____

DESCRIPTION

2" Round RGB + Tunable White Floating Gimbal
 Full Color Spectrum from red 1,000K to blue 10,000K
 WiFi + Blue Tooth Smart control via Smart Life app
 Option for pulsating to the beat of the sound of phone or external speaker

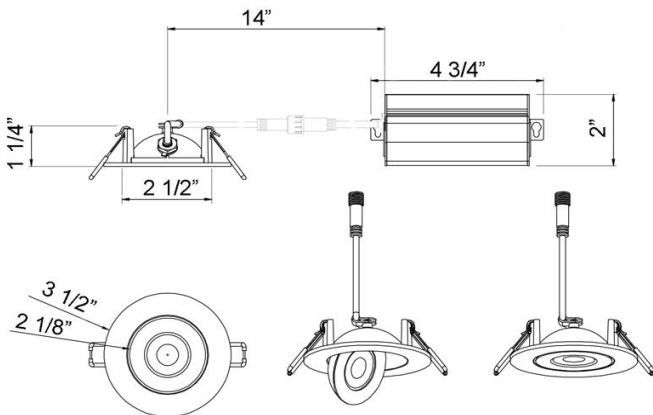
FEATURES & BENEFITS

- 1 1/4" Deep** - Fits in 3/4" ceiling space (with driver remotely mounted)
- Type IC Rated** - No Housing Required
- Driver Inside Connection Box** - No Junction Box Needed
- White and Black** trims in stock
- Damp Location & Airtight**
 Ideal for slopped ceilings, soffits, wall washing, highlighting artwork, task lighting

INSTALLATION INSTRUCTIONS

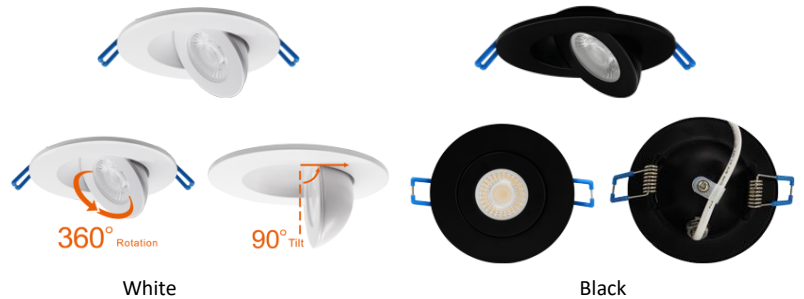
SETUP GUIDE

DIMENSIONS ID 2 1/2" OD 3 1/2" Depth 1 1/4" Cut Out 2 3/4" to 3"



SPECIFICATION	
Applications	Slopped ceilings, Wall washing, General lighting
Energy Used	5 W
Color Temperature (K)	2700 6000
Light Output (lm)	190 290
Halogen Equivalent	25 W
Beam Angle	38°
Adjusting	360° rotation with 90° tilt
CRI	80+ (for white colors)
Driver Input	120V AC 50/60 Hz
Dimming	via Smart Life app 5% - 100%
Connection Limit	maximum 200 fixtures
Junction Box Volume	6.53 in3 / 2 in 2 out 12AWG
Approved Location	Insulated Ceiling & Damp Locations
Air Tight	Yes
Ambient Temperature	-4°F (-20°C) to +104°F (+40°C)
Projected Life	70% Light Output at 50,000 Hours
Certification	cETLus
Warranty	3 Year

Trim Options



ACCESSORIES

Sold Separately



[Flanged Mounting Plate with bars model FRP212](#)



[Flat Mounting Plate model MP234](#)



[Flat Mounting Plate model RIP212](#)



[Jumper Cables 10 ft model # JC10](#)

ORDERING GUIDE

ADS2FGSTRGBCW-WH [White Trim](#)

ADS2FGSTRGBCW-BK [Black Trim](#)

Lotus LED Lights USA

250 H Street # 301, Blaine WA 98230 tel 360-200-5500
 Hainesport NJ, Naples FL, Vancouver WA

www.LotusLEDLights.com

mailing addresses
 warehouses

Lotus LED Lights CANADA

1080 Cliveden Ave # 6, Delta BC V3M 6G6 tel 604-538-3090
 Delta BC & Mississauga ON