



**Kinetic Switch for dimmer ERC111 / switch ERC112**

Project: \_\_\_\_\_

Location: \_\_\_\_\_

Qty: \_\_\_\_\_

Notes: \_\_\_\_\_

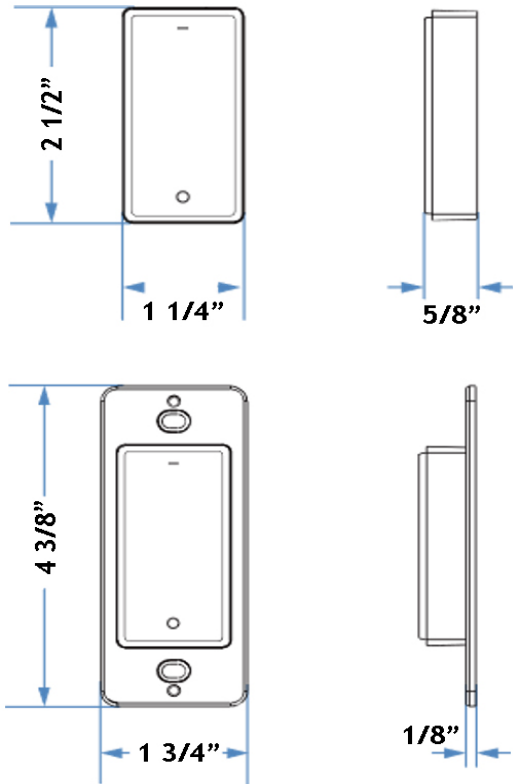
**DESCRIPTION**

Kinetic switch for remote control of Light by Lotus smart dimmer ERC111 and smart switch ERC112

**FEATURES & BENEFITS**

- No Wiring & No Batteries needed
- Can be installed on any flat surface
- Pair up to 10 kinetic switches to one smart dimmer ERC111 or smart switch ERC112
- Short push for turn on / off
- Press and hold to smoothly dim up or down
- Magnetic mounting plate is included

SPECIFICATION	
Approved Location	Indoor / dry locations
Wireless Communication	RF 902 MHz
Operating Distance	100 ft (30m) indoor
	160 ft (50m) outdoor
Pairing Capacity	maximum of 10 switches to 1 dimmer
Operating Temperature	-15°C to + 45°C (5°F to 113°F)
Certification	FCC
Warranty	3 Year



- Top button:**
- short push to turn on full brightness
  - long press to increase brightness

- Bottom button:**
- short push to turn off
  - long press to decrease brightness



Magnetic mounting plate included

**ORDERING GUIDE**

model **EU1254**

Decora wall plate not included

