

KVG-24060-DWJ

24V Constant Voltage 60W Driver 5-in-1 Dimmable



Project: _____

Location: _____

Qty: _____

Notes: _____

DESCRIPTION

24V 60W class 2 power supply with built-in wiring compartments for line and low voltage connections

5-in-1 forward and reverse phase dimming:
 TRIAC / ELV / MLV, 0-10V, 1-10V, Potentiometer, 10V PWM

FEATURES & BENEFITS

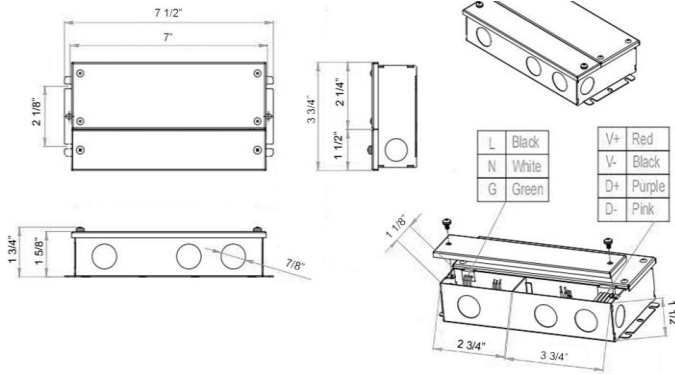
High quality electronic LED driver with superior dimming compatibility

Active Power Factor Correction (PFC) & Pulse Width Modulation (PWM) dimming ensures excellent compatibility with most dimmers

Multiple knock-outs for easy wiring

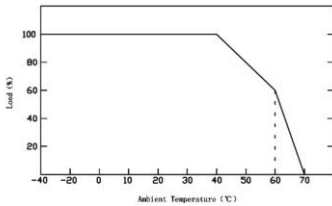
0.5 second start time

DIMENSIONS



| SPECIFICATION | |
|------------------------------|--|
| Applications | LED Tape, 24V Ceiling Fixtures |
| Power | 60 W |
| Input | 120V - 277V AC |
| Output V / A | 24V DC / 2.5A |
| Type | Constant Voltage Electronic LED Driver |
| Dimmability | TRIAC, 0-10V, 1-10V, Pot., 10V PWM |
| Min / Max Load: | 6W / 60W |
| THD @ 120V with 80% LED load | without dimmer: 4% |
| | with triac dimmer: 28% |
| | with 0-10V dimmer: 4% |
| THD @ 277V with 80% LED load | without dimmer: 15% |
| | with triac dimmer: 48% |
| | with 0-10V dimmer: 15% |
| Power Factor | 0.98 with built-in power factor correction |
| PWM Frequency | 20 KHz |
| Protection | short circuit, over-voltage, over-heat, over-load |
| Approved Location | Dry, Damp & Wet Locations |
| Wiring Volume | 5 cu in per chamber |
| Ambient Temperature | -40°F (-40°C) to +140°F (+60°C) |
| Warranty | 5 Year |
| Certification | c UL us Listed, Class 2, Type HL, FCC Title 47 Class B |

Derating Curve - load accordingly

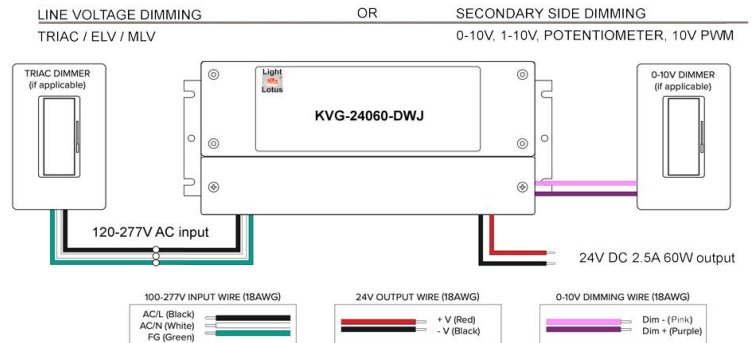


ORDERING GUIDE **KVG-24060-DWJ**

WARNING:

Do not exceed ambient temperature range from -40°F (-40°C) to +140°F (+60°C). Please mount in a shaded area or when mounted indoors install in a well-ventilated area. Failure to follow these instructions could lead to overheating, short life and void the warranty.

WIRING DIAGRAMS



Lotus LED Lights USA
 250 H Street # 301, Blaine WA 98230 tel 360-200-5500
 Hainesport NJ & Ferndale WA

www.LotusLEDLights.com
 mailing addresses
 warehouses

Lotus LED Lights CANADA
 1080 Cliveden Ave # 6, Delta BC V3M 6G6 tel 604-538-3090
 Delta BC & Mississauga ON