



Project: \_\_\_\_\_

Location: \_\_\_\_\_

Qty: \_\_\_\_\_

Notes: \_\_\_\_\_

### DESCRIPTION

24V 96W class 2 power supply with built-in wiring compartments for line and low voltage connections

5-in-1 forward and reverse phase dimming:  
TRIAC / ELV / MLV, 0-10V, 1-10V, Potentiometer, 10V PWM

### FEATURES & BENEFITS

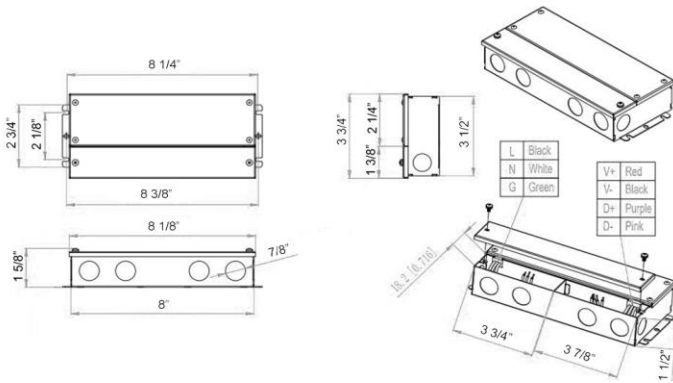
High quality electronic LED driver with superior dimming compatibility

Active Power Factor Correction (PFC) & Pulse Width Modulation (PWM) dimming ensures excellent compatibility with most dimmers

Multiple knock-outs for easy wiring

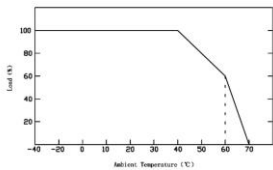
0.5 second start time

### DIMENSIONS



SPECIFICATION	
Applications	LED Tape, 24V Ceiling Fixtures
Power	96 W
Input	120V - 277V AC
Output V / A	24V DC / 4A
Type	Constant Voltage Electronic LED Driver
Dimmability	TRIAC, 0-10V, 1-10V, Pot., 10V PWM
Min / Max Load:	9W / 96W
THD @ 120V with 80% LED load	without dimmer: 14%
	with triac dimmer: 28%
THD @ 277V with 80% LED load	without dimmer: 14%
	with triac dimmer: 39%
	with 0-10V dimmer: 18%
	with 0-10V dimmer: 14%
Power Factor	0.98 with built-in power factor correction
PWM Frequency	20 KHz
Protection	short circuit, over-voltage, over-heat, over-load
Approved Location	Dry, Damp & Wet Locations
Wiring Volume	8.75 cu in per chamber
Ambient Temperature	-40°F (-40°C) to +140°F (+60°C)
Warranty	5 Year
Certification	c UL us Listed, Class 2, Type HL, FCC Title 47 Class B

### Derating Curve - load accordingly



### ORDERING GUIDE **KVG-24096-DWJ**

### WARNING:

Do not exceed ambient temperature range from -40°F (-40°C) to +140°F (+60°C). Please mount in a shaded area or when mounted indoors install in a well-ventilated area. Failure to follow these instructions could lead to overheating, short life and void the warranty.

### WIRING DIAGRAMS

