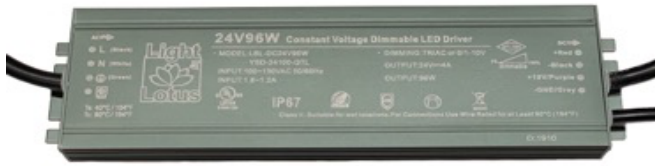




LBL-DC24V96W

24V Class 2 Power Supply 96W Dimmable



Project: _____

Location: _____

Qty: _____

Notes: _____

DESCRIPTION

24V Class 2 Power Supply 96W

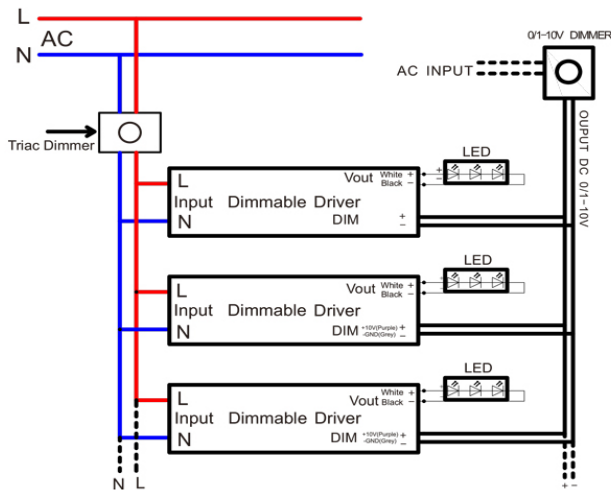
FEATURES & BENEFITS

3/4" Deep - Fits Where Space Is Limited

Triac and 0-10V Dimmable

Wet Location Certified

WIRING DIAGRAM



SPECIFICATION

SPECIFICATION	
Applications	LED Tape, 24V Ceiling Fixtures
Power	96 W
Input	120V
Output	24V DC
Dimmability	Triac & 0-10V
Approved Location	Wet Locations
IP Rating	IP67
Ambient Temperature	-40°F (-40°C) to +104°F (+40°C)
Optional Driver Input	120V-347V AC 0-10V Dimmable
Warranty	3 Year
Certification	cULus Listed File # 498189

ORDERING GUIDE

LBL-DC24V96W

COMPLIANCE



DIMENSIONS:

8" x 2 1/2" x 3/4"

