

Say Good-Bye To Wires & Batteries

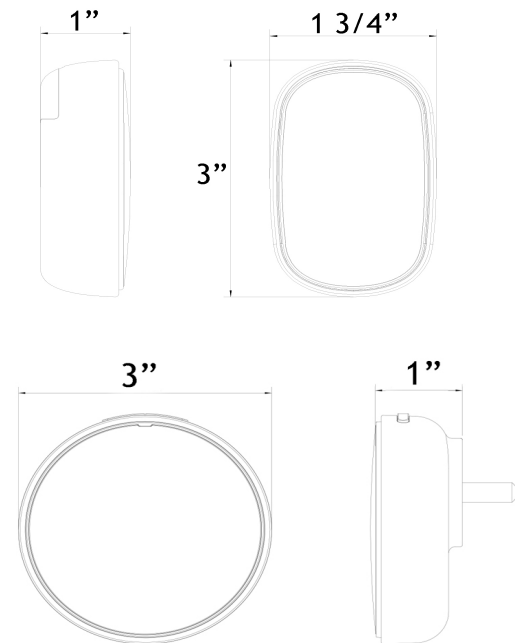


DESCRIPTION

Wireless Kinetic Doorbell that employs micro-energy acquisition technology to provide battery-free installation

FEATURES & BENEFITS

- Wireless & Batteryless
- Waterproof Transmitter for Outdoor Installation
- Pair multiple units together
- Choose from 28 melodies with 4 levels of volume, plus a flashing light
- True Plug & Play Installation & Operation:
- Mount the Transmitter, Plug the Receiver & Ring the Bell



Project: _____

Location: _____

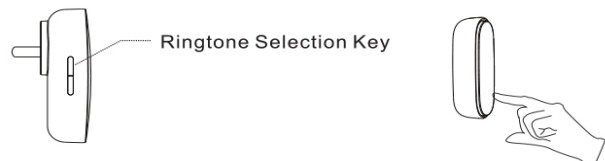
Qty: _____

Notes: _____

SPECIFICATION	
Applications	Homes, Multi-Family, Workshops, etc.
Receiver Input Voltage	100 - 240V AC
Energy Used by Receiver	idle 0.1 W, while ringing 0.6 W
Volume Levels	4
Ringtones	28
Pairing Capacity	up to 100 receivers to 1 transmitter
	up to 10 transmitters to 1 receiver
Operation Range	100 feet
Frequency	433 MHz
Operating Temperature	Receiver: -10° C to + 55° C (14° F to 130° F)
	Transmitter: -40° C to + 55° C (-40° F to 130° F)
Approved Location	Receiver: Indoor only
	Transmitter: Outdoor IP67
Certifications	c ETL us, FCC
Warranty	2 Year

Pairing:

The Transmitter and Receiver in your package are already paired. To pair more than one follow the steps below:



1. Press the Ringtones Selection Key for 3 seconds and release when the indicator light starts blinking
2. Press the Transmitter once. The indicator light on the Receiver will turn off and the pairing is complete

Deleting Pair:

The pairing will be deleted by pressing the Ringtones Selection Key for 10 seconds until the indicator light stops blinking and is constantly on

Silent Mode:

To activate Silent Mode, press the Ringtones Selection Key for 8 seconds and release when the indicator light stops blinking and is constantly on
To deactivate Silent Mode: repeat the above steps

ORDERING GUIDE model **LBL-KDB-1**
Package contains one Transmitter and one Receiver

