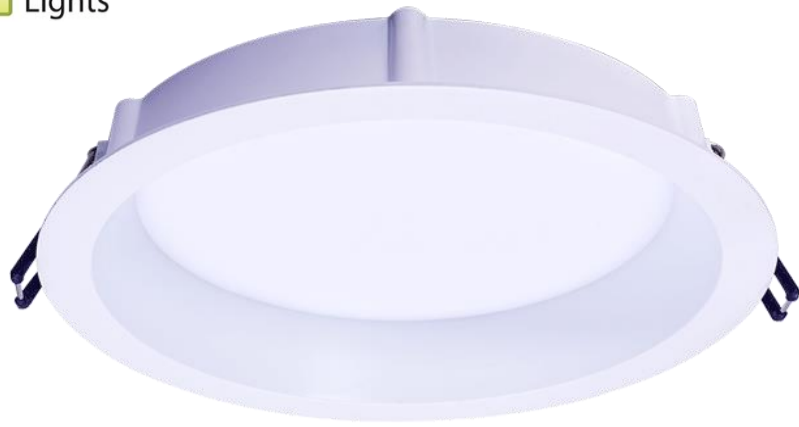




LE6RR

6" Round Deep Regressed Eco LED 5CCT 14.5W



Project: _____

Location: _____

Model #: _____ Qty: _____

Notes: _____

DESCRIPTION

6" Round Deep Regressed LED With Integral Driver In Connection Box
Builder Grade Fixture Providing Pleasant Low Glare Light

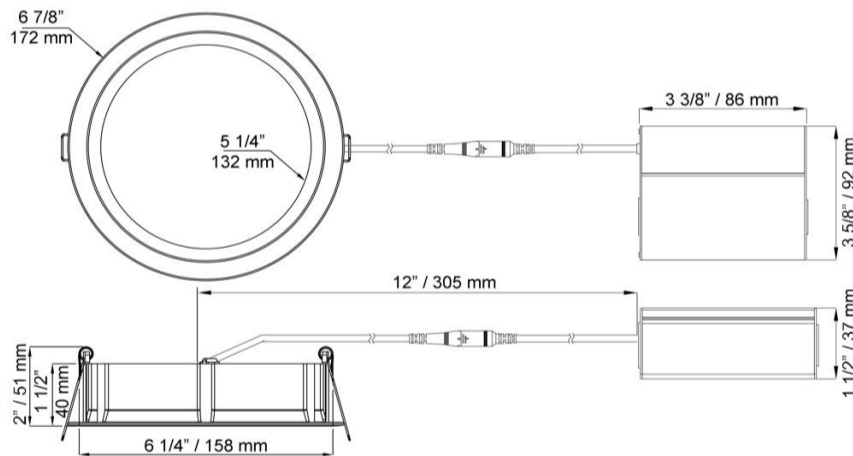
FEATURES & BENEFITS

- 1 1/8" Regressed for Reduced Glare
- 5CCT User Selectable 2700-3000-3500-4000-5000K
- CRI 90+ [Spectrum Test WH Trim](#) [Spectrum Test BK Trim](#)
- Driver Inside Connection Box - No Junction Box Needed
- Type IC, Air-Tight and Wet Location Rated - No Housing Needed

MOUNTING

Cut Hole In Ceiling And Snap Fixture In Opening With Attached Spring Clips. Ceiling Clearance Required 2"

DIMENSIONS: ID 6 1/4" OD 6 7/8" Cut Out 6 1/4"



120V TRIAC Dimmable
Driver Included

Optional 120V - 347V
Driver 0-10V Dimmable
Order Separately as
[model # LLL-LD1535ET](#)



AVAILABLE TRIMS



White



Black

ORDERING GUIDE

| | Trim |
|---------------|-----------------------|
| LE6RR-5CCT-WH | White |
| LE6RR-5CCT-BK | Black |

| SPECIFICATION | |
|----------------------------|--|
| Applications | Recessed Ceiling, Showers & Soffits |
| Power | 14.5 W |
| Colour Temperature | 5CCT: 2700 3000 3500 4000 5000 |
| Light Output White Trim | 1528 1555 1589 1577 1512 |
| Light Output Black Trim | 1171 1196 1225 1217 1168 |
| Beam Angle | 90° |
| CRI | 90 + |
| Default Driver Input | 120V AC Triac Dimmable |
| Optional Driver Input | 120V-347V AC 0-10V Dimmable |
| Junction Box Wire Capacity | Max 5 No 12 AWG or 8 No 14 AWG |
| Approved Location | Insulated Ceiling & Wet Locations |
| IP Rating | IP 54 |
| Air Tight & Type IC | Yes |
| Ambient Temperature | -40°F (-40°C) to +104°F (+40°C) |
| Projected Life | 70% Light Output at 36,000 Hours |
| Certification | c UL us |
| Warranty | 5 Year |



ACCESSORIES



Low Volage Extension Cables 10 ft FT4 / CMR rated
[model # EXC10-5CCT](#)



[26" Long Flat Rough-In Plate model # RIP6](#)



[13" Flat Rough-In Plate - model # MP6-2](#)



[Flanged Plate with Hanger Bars - model # FRP6](#)



Emergency Driver 8W 120-347V input
[model # BLD-HM08D-YYY](#)

COMPLIANCE



Type IC
Air-Tight
Wet Location

Lotus genuine product

Lotus LED Lights USA
250 H Street # 301, Blaine WA 98230 tel 360-200-5500
Hainesport NJ, Naples FL, Vancouver WA

www.LotusLEDLights.com
mailing addresses
warehouses

Lotus LED Lights CANADA
1080 Cliveden Ave # 6, Delta BC V3M 6G6 tel 604-538-3090
Delta BC & Mississauga ON