



LE6SR

6" Square Deep Regressed Eco LED 5CCT 14.5W



Project: _____

Location: _____

Model #: _____ Qty: _____

Notes: _____

DESCRIPTION

6" Square Deep Regressed LED With Integral Driver In Connection Box
Builder Grade Fixture Providing Pleasant Low Glare Light

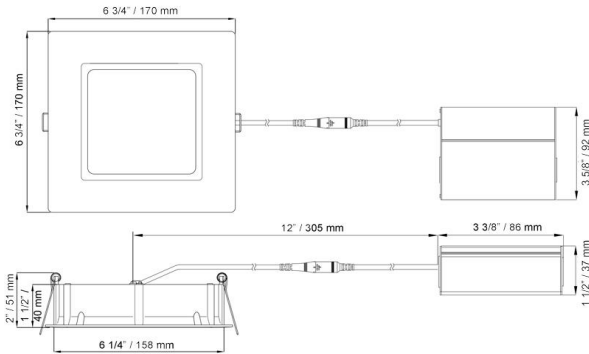
FEATURES & BENEFITS

- 1 1/8" Regressed for Reduced Glare
- 5CCT User Selectable 2700-3000-3500-4000-5000K
- CRI 90+ [Spectrum WH Trim](#) [Spectrum BK Trim](#)
- Driver Inside Connection Box - No Junction Box Needed
- Type IC, Air-Tight and Wet Location Rated - No Housing Needed

MOUNTING

Cut Hole In Ceiling And Snap Fixture In Opening With Attached Spring Clips. Ceiling Clearance Required 2"

DIMENSIONS: ID 6 1/4" OD Square 6 3/4" Cut Out 6 1/4"



120V TRIAC Dimmable
Driver Included



Optional 120V - 347V
Driver 0-10V Dimmable
Order Separately as
[model # LLL-LD1535ET](#)

AVAILABLE TRIMS



White



Black

ORDERING GUIDE

LE6SR-5CCT-WH [Trim White](#)
LE6SR-5CCT-BK [Trim Black](#)

Lotus genuine product

COMPLIANCE



Type IC
Air-Tight
Wet Location

SPECIFICATION	
Applications	Recessed Ceiling, Showers & Soffits
Power	14.5 W
Colour Temperature	5CCT: 2700 3000 3500 4000 5000
Light Output White Trim	1130 1153 1177 1169 1122
Light Output Black Trim	738 747 759 748 712
Beam Angle	90°
CRI	90 +
Default Driver Input	120V AC Triac Dimmable
Optional Driver Input	120V-347V AC 0-10V Dimmable
Junction Box Wire Capacity	Max 5 No 12 AWG or 8 No 14 AWG
Approved Location	Insulated Ceiling & Wet Locations
IP Rating	IP 54
Air Tight & Type IC	Yes
Ambient Temperature	-40°F (-40°C) to +104°F (+40°C)
Projected Life	70% Light Output at 36,000 Hours
Certification	c UL us
Warranty	5 Year

ACCESSORIES



Low Voltage Extension Cables 10 ft FT4 / CMR rated
[model # EXC10-5CCT](#)



[26" Long Flat Rough-In Plate model # RIP6](#)



[13" Flat Rough-In Plate - model # MP6-2](#)



[Flanged Plate with Hanger Bars - model # FRP6](#)



Emergency Driver 8W 120-347V input
[model # BLD-HM08D-YYY](#)

Lotus LED Lights USA
250 H Street # 301, Blaine WA 98230 tel 360-200-5500
Hainesport NJ & Ferndale WA

www.LotusLEDLights.com
mailing addresses
warehouses

Lotus LED Lights CANADA
1080 Cliveden Ave # 6, Delta BC V3M 6G6 tel 604-538-3090
Delta BC & Mississauga ON