



LED-2-S8W2

2" Round / Square Recessed LED 8W Designer Series

Project: _____

Location: _____

Trim: _____ Reflector: _____ Qty: _____

Notes: _____

DESCRIPTION

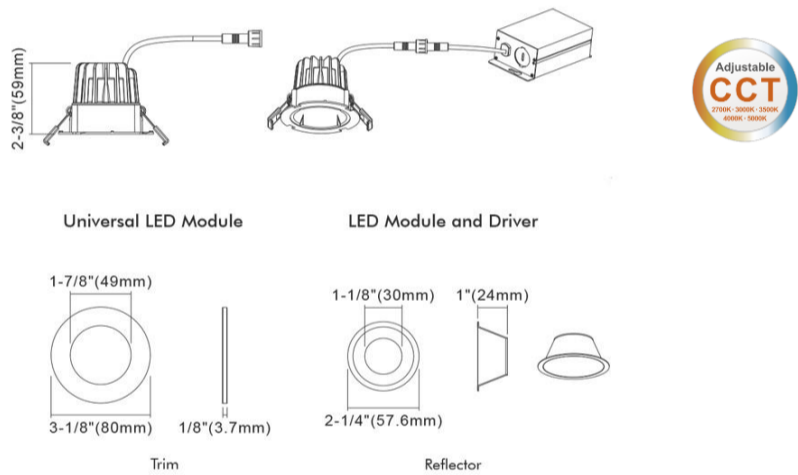
2" Recessed LED With Integral Driver In Connection Box
Interchangeable Reflectors, Trims & Lens Available

FEATURES & BENEFITS

- Round, Square & Specialty** trims - designer series fixture
- 27K, 30K, 40K & 5CCT** field selectable options
- CRI 90+** for True Color Rendering
- 2 3/8" Thick** - Install Where Ceiling Space Is Limited
- Beam options: **38°**(standard), **24°** & **60°** available as adder
- Type IC Rated** - No Housing Required
- Fast & Easy** To Install - Save On Labor
- Driver Inside Connection Box** - No Junction Box Needed

DIMENSIONS: ID 1 7/8" ; OD 3 1/8" ; Cut Out Needed For Driver 2 3/4"

Ceiling Clearance Required: 4 1/2" 120V Triac Dim Driver Included



ACCESSORIES

Sold Separately

- [Flanged Mounting Plate with bars model FRP212](#)
- [13" Mounting Plate model MP234](#)
- [26" Rough-In Plates - model # RIP212](#)
- [Jumper Cables for single CCT model JC10](#)
- [Jumper Cables for 5 CCT model JC-5CCT-10](#)
- [Goof Ring OD 4 1/2" White # GR3 Black # GR3-BK](#)
- [Emergency Driver 8W 120-347V input model # BLD-HM08D-YYY](#)

ORDERING GUIDE

	CCT	Reflector	Trim	Beam Angle
LED-2-S8W2	- xxK	- 2RRxx	- 2xxx	blank for 38°
	27 30 40 5CCT			-24D for 24°
				-60D for 60°
Example:				
LED-2-S8W2	- 30K	- 2RRWH	- 2RTWH	38° beam
	3000K	Reflector	Round Trim	
		White	White	

Default beam angle is 38°, Optional are 24° & 60°

SPECIFICATION	
Applications	Commercial & High End Residential
Energy Used	8 W
Color Temperature (K)	2700 3000 4000 5CCT: 27K-30K-35K-40K-50K
Light Output (lm)	580 600 620 520 - 560 - 610 - 620 - 630
Halogen Equivalent	50 W
Beam Angle	38° (standard), 24° & 60° available as adder
CRI	90 +
Driver Input	120V AC 50/60 Hz
J-Box Volume	6.53 in ³ / 2 in 2 out 12AWG
Dimming	TRIAC Dimmers 10% - 100%
Approved Location	Insulated Ceiling & Damp Locations / Wet with 2RST trim
Air Tight	Yes
Ambient Temperature	-4°F (-20°C) to +104°F (+40°C)
Projected Life	70% Light Output at 50,000 Hours
Certification	cETLus, Energy Star, T24
Warranty	5 Year

Reflectors



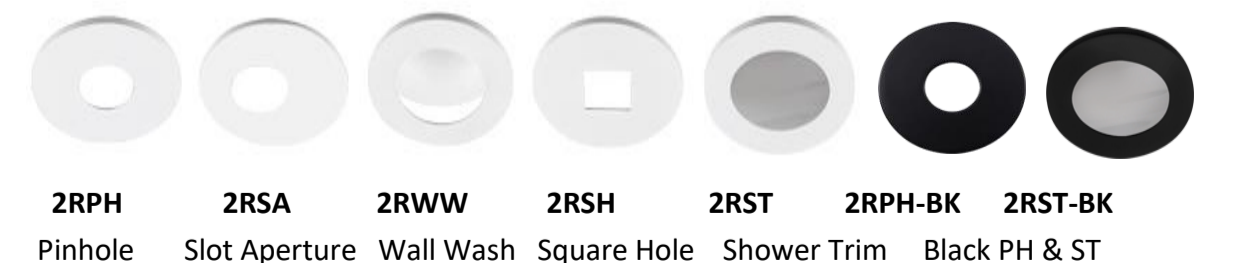
Round Trims



Square Trims



Specialty Trims - in stock White & 2 Black, other colors available by custom order



Lotus LED Lights USA

250 H Street # 301, Blaine WA 98230 tel 360-200-5500
Hainesport NJ, Naples FL, Vancouver WA

www.LotusLEDLights.com

mailing addresses
warehouses

Lotus LED Lights CANADA

1080 Cliveden Ave # 6, Delta BC V3M 6G6 tel 604-538-3090
Delta BC & Mississauga ON