



**2 HOUR FIRE RATING**  
Tested to comply with UL 263,  
ASTM E119 & CAN ULC S101

#### DESCRIPTION

6" Round Fire Rated Regressed Backlit LED 5CCT 14W

With Integral Driver In Connection Box

#### FEATURES & BENEFITS

**2 Hour Fire Rated** without additional housing or hardware

**Type IC, Air-Tight & Wet Location** - No Housing Required

**All Steel Heat Resistant Casing** provides up to 2 Hour Fire Protection

**Intumescent Gasket** for additional sealing in case of fire

**Heavy Duty Steel Spring Clips** for secure installation

**3/8" Regressed** for reduced glare

**1 1/2" Spring Height** for installations on 2 x 5/8" drywall

**Plenum Rated Cable** for Commercial Installations

**Driver Inside Connection Box** - No Junction Box Needed

**5 CCT** User Selectable Light Colors

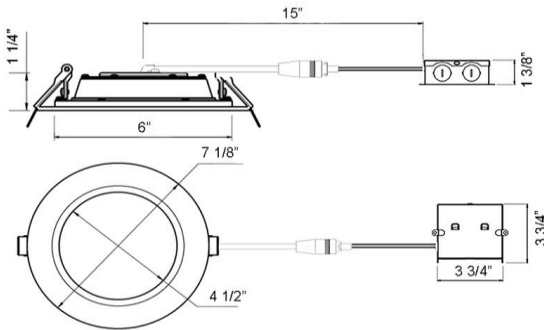
**CRI 90+** for True Color Rendering

Backlit for even higher efficiency **up to 125 lm/W**

**DIMENSIONS** ID 6" OD 7 1/8" Cut Out 6" to 6 1/4"

Fixture Thickness: 1 1/4"

120V Triac Dimmable Driver Included



#### ORDERING GUIDE

	CCT	Trim
<b>LFR-6R-RB-14W-5CCT</b>	5CCT	White
5CCT: 2700 - 3000 - 3500 - 4000 - 5000K		

#### INSTRUCTIONS FOR PROPER ASSEMBLY

Cut a circular opening in the gypsum ceiling such that the annular space between the ceiling membrane and the fixture does not exceed 1/8 inch.

Ensure penetrations do not exceed 100 square inches in any 100 square feet of ceiling area. Install with a minimum separation of 4 feet between units.

Maintain a minimum 1 inch space between the edge of the fixture and closest structural member.

## LFR-6R-RB-14W-5CCT

### 6" Round Fire Rated Regressed Backlit LED 14W 5CCT

Project: \_\_\_\_\_

Location: \_\_\_\_\_

Qty: \_\_\_\_\_

Notes: \_\_\_\_\_

SPECIFICATION	
Applications	Multi-Family Residential, Basements & Commercial
Energy Used	14 W
Color Temperature (K)	2700 - 3000 - 3500 - 4000 - 5000
Light Output (lm)	1590 - 1610 - 1680 - 1750 - 1690
Halogen Equivalent	150 W
Beam Angle	100°
CRI	90+
Driver Input	120V AC 50/60 Hz
Dimming	TRIAC Dimmers 10% - 100%
Junction Box Volume	9.69 cubic inches / Max 5 No 12 AWG or 8 No 14 AWG
Approved Location	Insulated Ceiling & Wet Locations
Cable	FT6 / CMP Plenum Rated
Air Tight & Type IC	Yes
Ambient Temperature	-4°F (-20°C) to +104°F (+40°C)
Projected Life	70% Light Output at 50,000 Hours
Certification	cETLus
Fire Rating	UL 263-2011(R2022), STM E119-20 & CAN/ULC-S101-14
Warranty	3 Year



ACCESSORIES

Sold Separately



[Flanged Plate with Hanger Bars - model # FRP6](#)



[13" Mounting Plate Flat model # MP6-2](#)



[26" Flat Rough-In Plates model # RIP6](#)



[Jumper Cable 10 ft. 5 CCT Model # FR-JC-5CCT-10](#)

Lotus LED Lights USA

250 H Street # 301, Blaine WA 98230 tel 360-200-5500  
Hainesport NJ, Naples FL, Vancouver WA

[www.LotusLEDLights.com](http://www.LotusLEDLights.com)

mailing addresses  
warehouses

Lotus LED Lights CANADA

1080 Cliveden Ave # 6, Delta BC V3M 6G6 tel 604-538-3090  
Delta BC & Mississauga ON