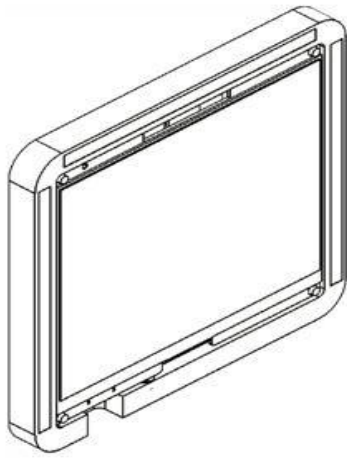


QR-Code Display for MESHLE Guest Control



Project: _____

Location: _____

Qty: _____

Notes: _____

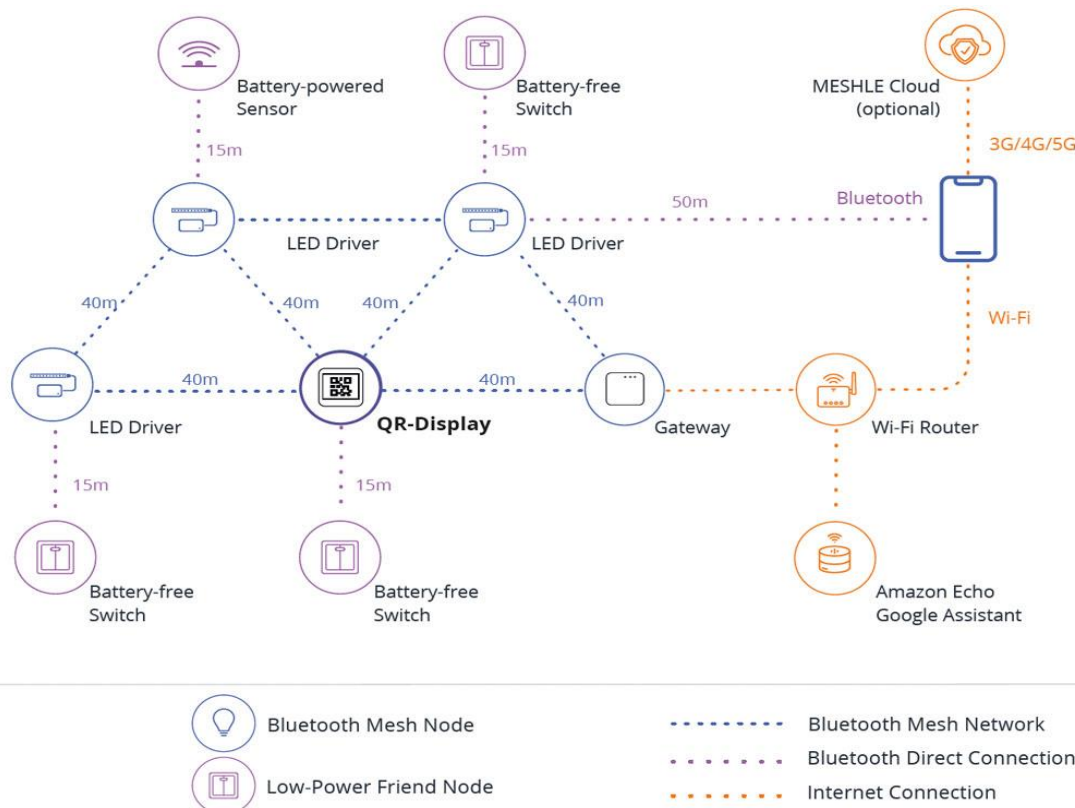
DESCRIPTION

The MESHLE QR-Display is an e-paper display that generates a temporary QR code. When scanned, users gain access to the Bluetooth Mesh network in which the QR-Display is configured. This access is web based and does not require app installation. Note: The MESHLE Gateway and an internet connection are required for the display to function correctly. The display is ideal for use in hotel rooms, allowing guests to control their smart room, or for exhibition displays where visitors can scan the QR code and control IoT products compatible with MESHLE.

FEATURES

- Large 4.2 E-Ink Display
- Simple configuration via Bluetooth
- Works as a regular Bluetooth Mesh node, relaying all mesh commands into the mesh network
- Secure communication – all communication is encrypted

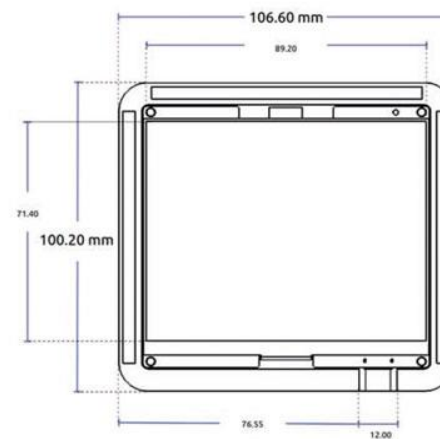
SYSTEM EXAMPLE



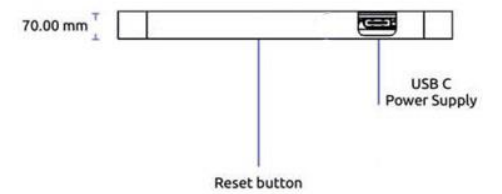
SPECIFICATION	
Input Voltage	USB-C 5V DC
Input Current	< 1 A
Wireless technology	Bluetooth - single point / mesh
WiFi supported	2.4 GHz
Type of antenna	Built in on-board antenna
Transmitting power	8 dBm
Signal channels	CH37
Operating Temperature	14°F (-10°C) to +131°F (+55°C)
Certification	FCC
Warranty	5 Year

SETUP INSTRUCTIONS

QR DISPLAY CONFIGURATION



Stick QR-Code display behind any glass



COMPATIBLE DEVICES



[SPI Controller model S54072W092S10-SPI](#)



[Gateway for Remote Control model 23W-1L](#)



RGBTW LED Strip IP20
[LBL-5050-2835-72P-24V-10MM-RGBTW-SPI-IP20](#)



RGBTW LED Strip IP65
[LBL-5050-2835-72P-24V-10MM-RGBTW-SPI-IP65](#)

ORDERING GUIDE

MQR-100

Lotus LED Lights USA
250 H Street # 301, Blaine WA 98230 tel 360-200-5500
Hainesport NJ, Naples FL, Vancouver WA

www.LotusLEDLights.com
mailing addresses
warehouses

Lotus LED Lights CANADA
1080 Cliveden Ave # 6, Delta BC V3M 6G6 tel 604-538-3090
Delta BC & Mississauga ON