



# RIP5

## 26" Flat Rough-In Plate for 5" Models



Project: \_\_\_\_\_

Location: \_\_\_\_\_

Qty: \_\_\_\_\_

Notes: \_\_\_\_\_

### DESCRIPTION

Rough-in plate for new construction pre-mounting of 5" lighting fixtures

### FEATURES

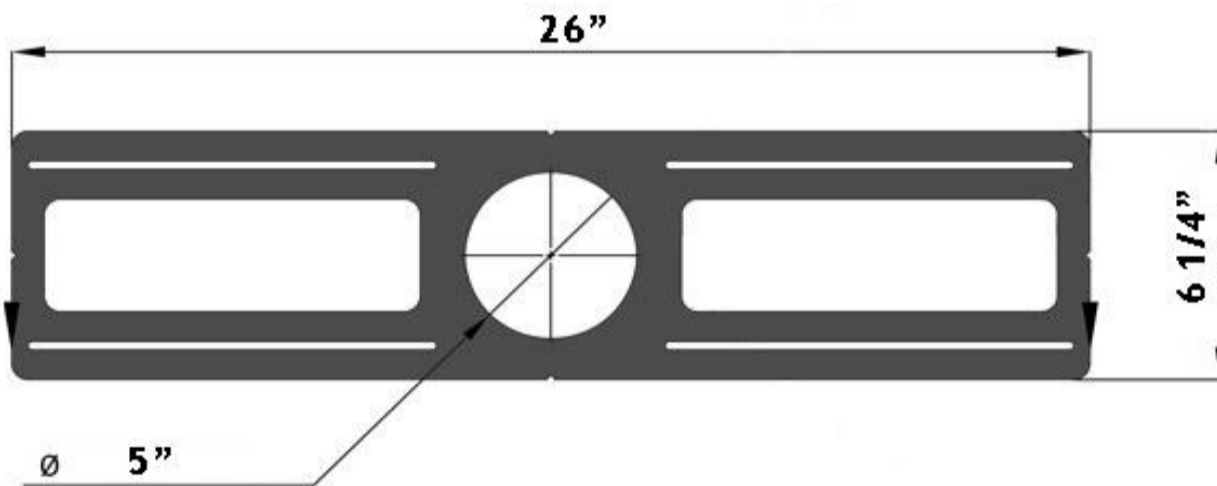
- Made from galvanized steel, 26" long to fit joists up to 24" apart
- Hole diameter 5"
- Plate has alignment notches

### MOUNTING

- Fix the plate with screws (not supplied) through the mounting slots
- Optional: Purchase our Magnetic tool for precise laser alignment

### COMPATIBLE FIXTURES

- [LRG4](#)
- [LRG4-HO](#)
- [LD4R-5R-SL30](#)
- [LD4R-HO-5R-SL30](#)
- [LSG3-5SSL](#)
- [LSG3-HO-5SSL](#)



### ACCESSORIES



Magnetic tool for precise alignment  
[model # LLL-BRT](#)

### ORDERING GUIDE

model # **RIP5**

**Lotus LED Lights USA**  
250 H Street # 301, Blaine WA 98230 tel 360-200-5500  
Hainesport NJ, Naples FL, Vancouver WA

[www.LotusLEDLights.com](http://www.LotusLEDLights.com)  
mailing addresses  
warehouses

**Lotus LED Lights CANADA**  
1080 Cliveden Ave # 6, Delta BC V3M 6G6 tel 604-538-3090  
Delta BC & Mississauga ON