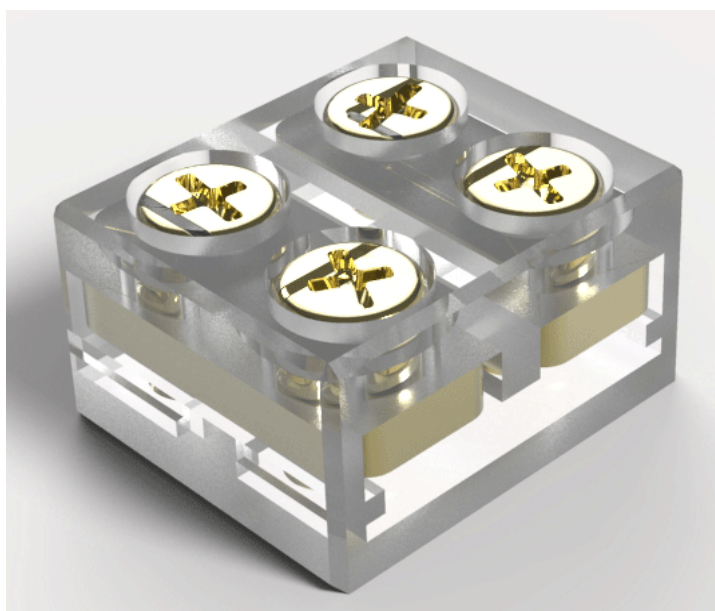




SC-8-10-TT-1

Tape to Tape Straight Screw Connector



Project: _____

Location: _____

Qty: _____

Notes: _____

DESCRIPTION

Tape to Tape Straight Screw Connector for 8mm & 10mm tape light

ORDERING GUIDE

MODEL # **SC-8-10-TT-1**

INSTALLATION INSTRUCTIONS

Packaging: Individually packaged with installation instructions

Specification

Input voltage	IP rating	Rated current	Product dimension	Under Materials	Working environment	Installation method
12VDC / 24VDC	IP20	10A	11mm*11.9mm*6.6mm	Heat Resistant PC +65% copper	-10°~45°	Screws

Installation

1

1. Unscrew the 4 screws of the connector (A)

2

2. Insert the end of LED tape light (B) into the connector opening (A). Align the connection points (B1 & B2) to be right under the screws (A1 & A2)

3

3. Screw down the 2 screws (A1 & A2) until firm contact with the LED tape is secured. Do not over tight

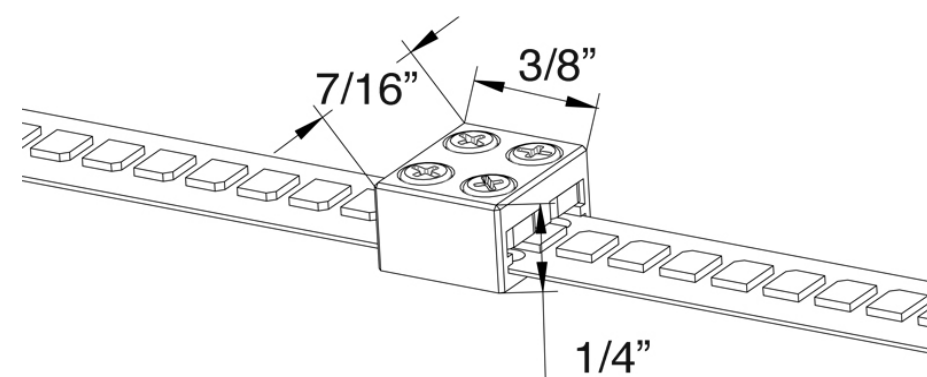
NOTE:
These connectors DO NOT FIT into the XC610 aluminum channels that we supply.

4

4. Insert the other end of the tape light and repeat steps 3 & 4. Make sure polarity of both tapes match on both sides of the connector(+ with + and - with -)

5

DIMENSIONS



Lotus LED Lights USA

250 H Street # 301, Blaine WA 98230 tel 360-200-5500
Hainesport NJ, Naples FL, Vancouver WA

www.LotusLEDLights.com

mailing addresses
warehouses

Lotus LED Lights CANADA

702 Chester Rd, Delta BC V3M 6J1 tel 604-538-3090
Delta BC & Mississauga ON