

# SDD-24060-CCT

## Driver + Dimmer + Manual CCT Controller 3 in 1 for Tunable White LED 24V 60W

### DESCRIPTION

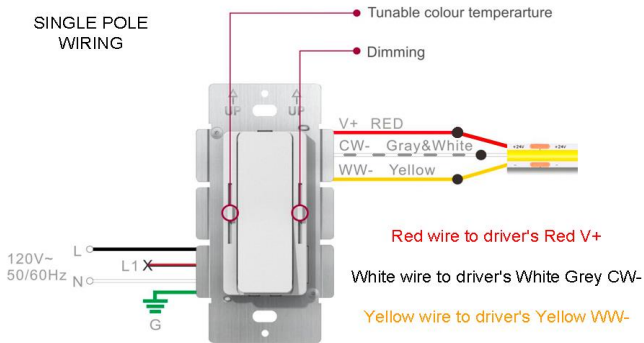
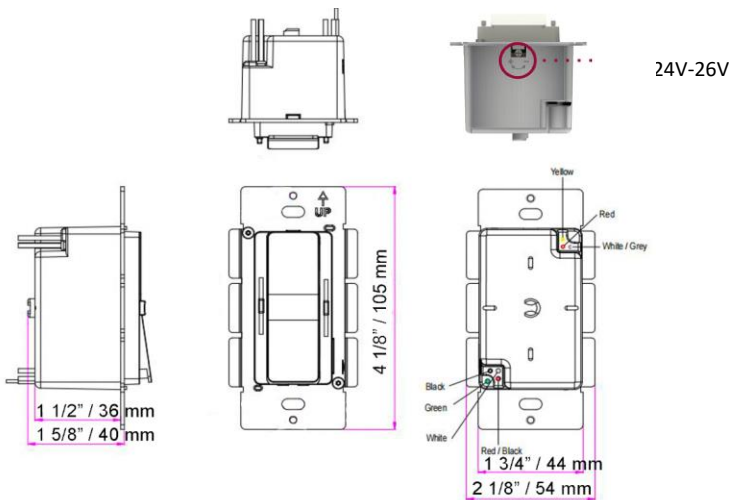
Driver + Dimmer + Manual CCT Controller 3 in 1  
 Class 2 power supply for electrical box installation  
 Use with Lotus LED tape model [LBL-COB-TW5CCT-IP20](#)

### FEATURES & BENEFITS

Eliminates compatibility issues between drivers and dimmers  
 Includes separation plate that allows installation of high and low voltage circuits in the same box  
 Smooth control of the light color from 2700K to 5000K by manual slide button  
 Fine tuning of the output voltage

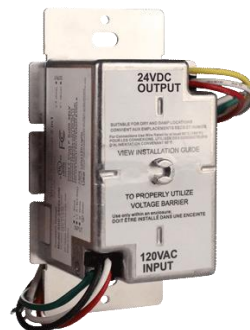
Project: \_\_\_\_\_  
 Location: \_\_\_\_\_  
 Qty: \_\_\_\_\_  
 Notes: \_\_\_\_\_

SPECIFICATION	
Applications	24V DC Tunable White LED installations
Power	60 W
Input	120V AC 60 Hz
Output V / A	24V DC / 2.5A
Voltage Adjustment	24 to 26 V +/- 0.5V
Type	Constant Voltage PWM output
Min / Max Load:	no minimum / 60 W
Dimming Range	0.3% - 100%
Wiring	Single Pole or 3-Way
THD	< 10% at full load
Power Factor	> 0.99 at full load
Efficiency	91% at full load
Inrush Current	50A, 150us @ 50%
Leakage current	< 0.5mA
PWM Frequency	16 KHz
Net Weight	0.55 lbs / 0.25 kg
Protection	short circuit, over-voltage, over-heat, over-load
Approved Location	Dry & Damp Locations
Working Temperature	-40°F (-40°C) to +140°F (+60°C)
Warranty	5 Year
Safety standards	c UL us Listed UL8750; CAN/CSA-C22.2 No.250.13
Certifications	Class 2, UL Class P, FCC Part 15 Class B Subpart B

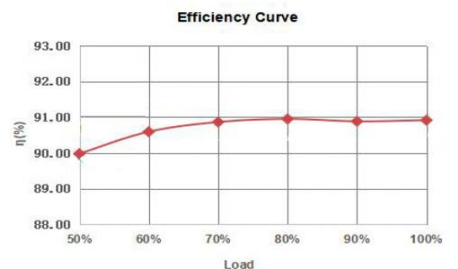
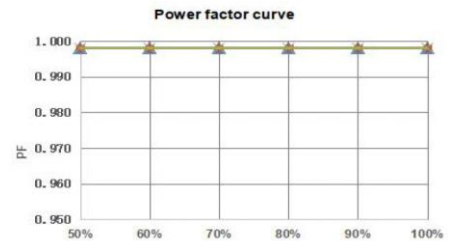
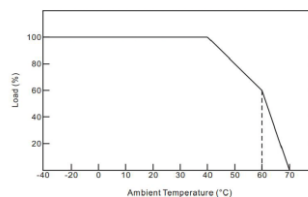


### 3-WAY WIRING DIAGRAM

### ORDERING GUIDE **SDD-24060-CCT**



Derating Curve (Output power VS Ambient TEMP)



Lotus LED Lights USA  
 250 H Street # 301, Blaine WA 98230 tel 360-200-5500  
 Hainesport NJ & Ferndale WA

[www.LotusLEDlights.com](http://www.LotusLEDlights.com)  
 mailing addresses  
 warehouses

Lotus LED Lights CANADA  
 1080 Cliveden Ave # 6, Delta BC V3M 6G6 tel 604-538-3090  
 Delta BC & Mississauga ON