



SDD-24060-DIM

2 in 1 Driver + Dimmer for Single CCT LED 24V 60W



DESCRIPTION

Driver + Dimmer 2 in 1

Class 2 power supply for electrical box installation

Use with: [all single CCT / DTW LED tape](#)

[all 24V DC fixtures](#) [24V pucks](#) [24V step lights](#)

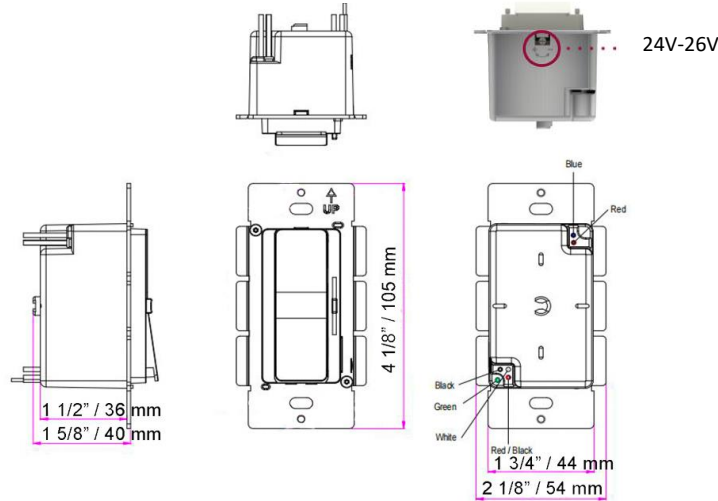
FEATURES & BENEFITS

Eliminates compatibility issues between drivers and dimmers

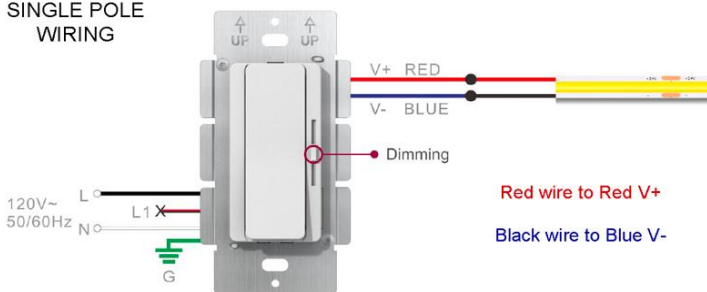
Includes separation plate that allows installation of high and

low voltage circuits in the same box

Fine tuning of the output voltage



SINGLE POLE WIRING



3-WAY WIRING DIAGRAM

ORDERING GUIDE **SDD-24060-DIM**

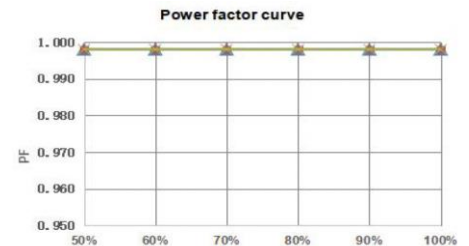
Project: _____

Location: _____

Qty: _____

Notes: _____

SPECIFICATION	
Applications	24V DC single CCT & DTW LED installations
Power	60 W
Input	120V AC 60 Hz
Output V / A	24V DC / 2.5A
Voltage Adjustment	24 to 26 V +/- 0.5V
Type	Constant Voltage PWM output
Min / Max Load:	no minimum / 60 W
Dimming Range	0.3% - 100%
Wiring	Single Pole or 3-Way
THD	< 10% at full load
Power Factor	> 0.99 at full load
Efficiency	91% at full load
Inrush Current	50A, 150us @ 50%
Leakage current	< 0.5mA
PWM Frequency	16 KHz
Net Weight	0.55 lbs / 0.25 kg
Protection	short circuit, over-voltage, over-heat, over-load
Approved Location	Dry & Damp Locations
Working Temperature	-40°F (-40°C) to +140°F (+60°C)
Warranty	5 Year when used with Lotus products
Safety standards	c UL us Listed UL8750; CAN/CSA-C22.2 No.250.13
Certifications	Class 2, UL Class P, FCC Part 15 Subpart B Class B



Derating Curve (Output power VS Ambient TEMP)

