



SDD-24060P-WLCCT-TWB

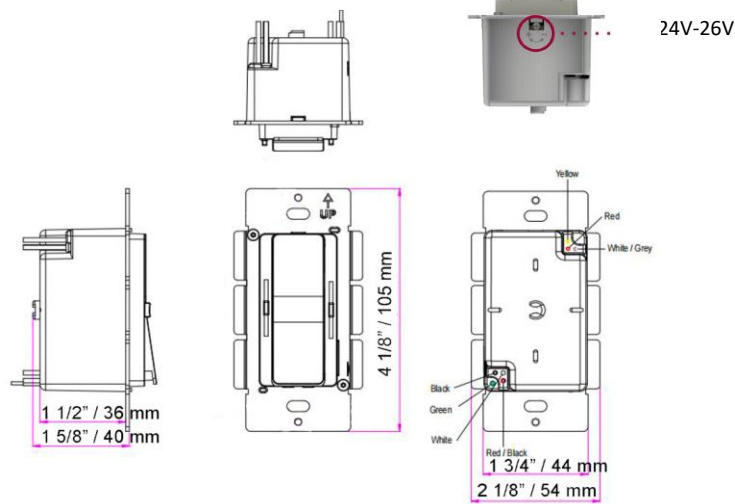
**Driver + Dimmer + Manual CCT Controller + Smart
4 in 1 for Tunable White LED 24V 60W**

DESCRIPTION

Driver + Dimmer + Manual CCT Controller + Smart 4 in 1
Class 2 power supply for electrical box installation
Use with Lotus LED tape model [LBL-COB-TW5CCT-IP20](#)

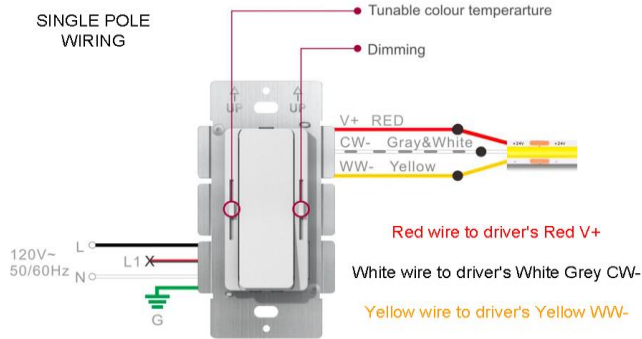
FEATURES & BENEFITS

- Eliminates compatibility issues between drivers and dimmers
- Includes separation plate that allows installation of high and low voltage circuits in the same box
- Smooth control of the light color from 2700K to 5000K by manual slide button or by WiFi / Bluetooth (Smart Life) app
- Fine tuning of the output voltage



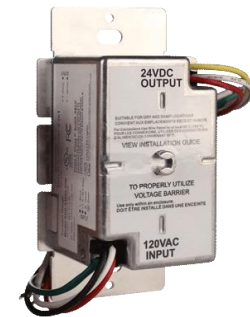
Project: _____
Location: _____
Qty: _____
Notes: _____

SPECIFICATION	
Applications	24V DC Tunable White LED installations with app control
Power	60 W
Input	120V AC 60 Hz
Output V / A	24V DC / 2.5A
Voltage Adjustment	24 to 26 V +/- 0.5V
Type	Constant Voltage PWM output
Min / Max Load:	no minimum / 60 W
Dimming Range	0.3% - 100%
Smart Dimming	Smart Life app (Tuya) or Bluetooth control
Wiring	Single Pole or 3-Way
THD	< 10% at full load
Power Factor	> 0.99 at full load
Efficiency	91% at full load
Inrush Current	50A, 150us @ 50%
Leakage current	< 0.5mA
PWM Frequency	16 KHz
Net Weight	0.55 lbs / 0.25 kg
Protection	short circuit, over-voltage, over-heat, over-load
Approved Location	Dry & Damp Locations
Working Temperature	-40°F (-40°C) to +140°F (+60°C)
Warranty	5 Year
Safety standards	c UL us Listed UL8750; CAN/CSA-C22.2 No.250.13
Certifications	Class 2, UL Class P, FCC Part 15 Class B Subpart B

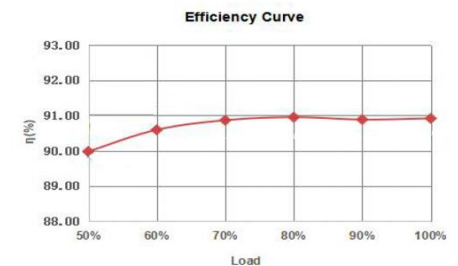
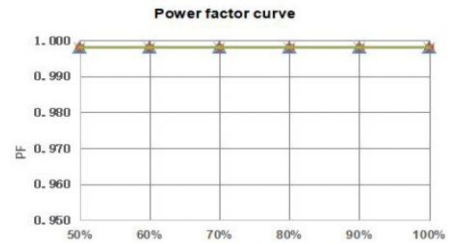
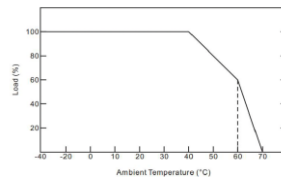


3-WAY WIRING DIAGRAM

ORDERING GUIDE **SDD-24060P-WLCCT-TWB**



Derating Curve (Output power VS Ambient TEMP)



Lotus LED Lights USA
250 H Street # 301, Blaine WA 98230 tel 360-200-5500
Hainesport NJ & Ferndale WA

www.LotusLEDLights.com
mailing addresses
warehouses

Lotus LED Lights CANADA
1080 Cliveden Ave # 6, Delta BC V3M 6G6 tel 604-538-3090
Delta BC & Mississauga ON