



# SDD-24096-CCT

## Driver + Dimmer + Manual CCT Controller 3 in 1 for Tunable White LED 24V 96W

Project: \_\_\_\_\_  
 Location: \_\_\_\_\_  
 Qty: \_\_\_\_\_  
 Notes: \_\_\_\_\_

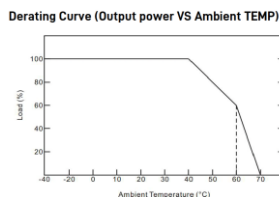
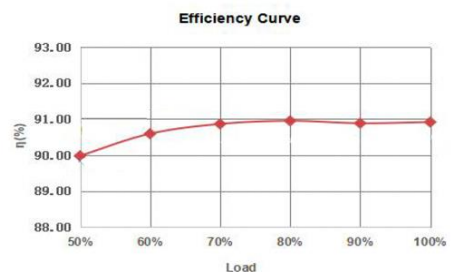
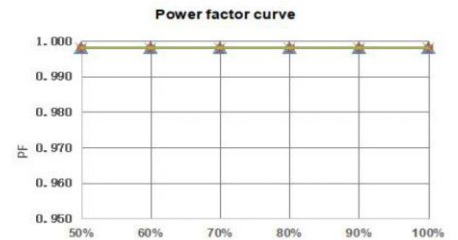
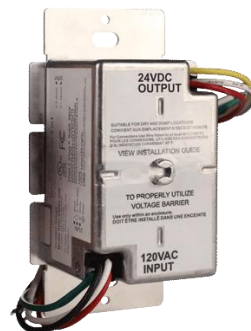
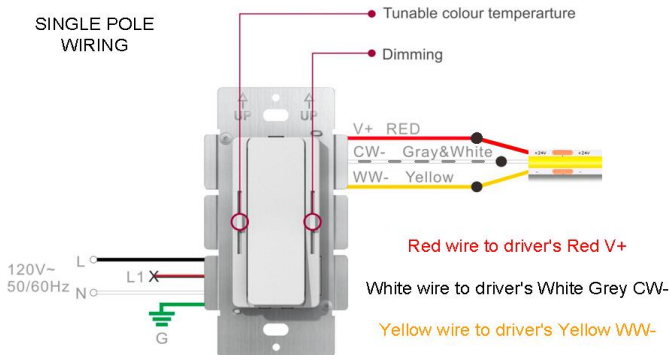
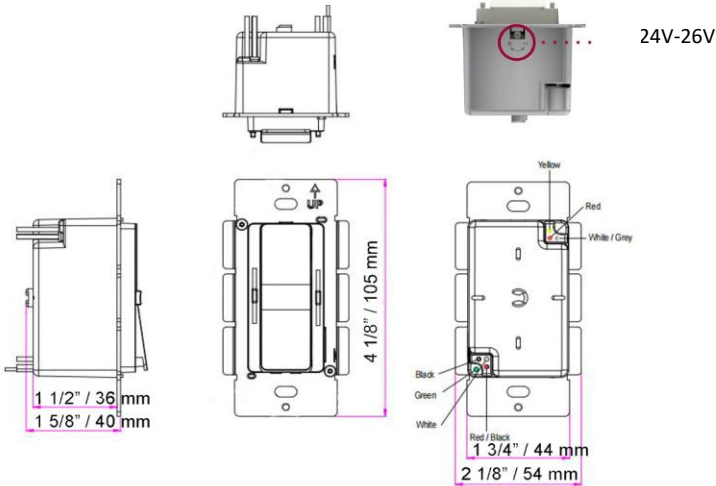
### DESCRIPTION

Driver + Dimmer + Manual CCT Controller 3 in 1  
 Class 2 power supply for electrical box installation  
 Use with Lotus LED tape model [LBL-COB-TW5CCT-IP20](#)

### FEATURES & BENEFITS

- Eliminates compatibility issues between drivers and dimmers
- Includes separation plate that allows installation of high and low voltage circuits in the same box
- Smooth control of the light color from 2700K to 5000K by manual slide button
- Fine tuning of the output voltage

SPECIFICATION	
Applications	24V DC Tunable White LED installations
Power	96 W
Input	120V AC 60 Hz
Output V / A	24V DC / 4A
Voltage Adjustment	24 to 26 V +/- 0.5V
Type	Constant Voltage PWM output
Min / Max Load:	no minimum / 96 W
Dimming Range	0.3% - 100%
Wiring	Single Pole or 3-Way
THD	< 10% at full load
Power Factor	> 0.99 at full load
Efficiency	91% at full load
Inrush Current	50A, 150us @ 50%
Leakage current	< 0.5mA
PWM Frequency	16 KHz
Net Weight	0.55 lbs / 0.25 kg
Protection	short circuit, over-voltage, over-heat, over-load
Approved Location	Dry & Damp Locations
Working Temperature	-40°F (-40°C) to +140°F (+60°C)
Warranty	5 Year
Safety standards	c UL us Listed UL8750; CAN/CSA-C22.2 No.250.13
Certifications	Class 2, UL Class P, FCC Part 15 Class B Subpart B



### 3-WAY WIRING DIAGRAM

### ORDERING GUIDE **SDD-24096-CCT**

Lotus LED Lights USA  
 250 H Street # 301, Blaine WA 98230 tel 360-200-5500  
 Hainesport NJ & Ferndale WA

[www.LotusLEDlights.com](http://www.LotusLEDlights.com)  
 mailing addresses  
 warehouses

Lotus LED Lights CANADA  
 1080 Cliveden Ave # 6, Delta BC V3M 6G6 tel 604-538-3090  
 Delta BC & Mississauga ON