



# SDD-24096-DIM

## 2 in 1 Driver + Dimmer for Single CCT LED 24V 96W



### DESCRIPTION

Driver + Dimmer 2 in 1

Class 2 power supply for electrical box installation

Use with: [all single CCT / DTW LED tape](#)

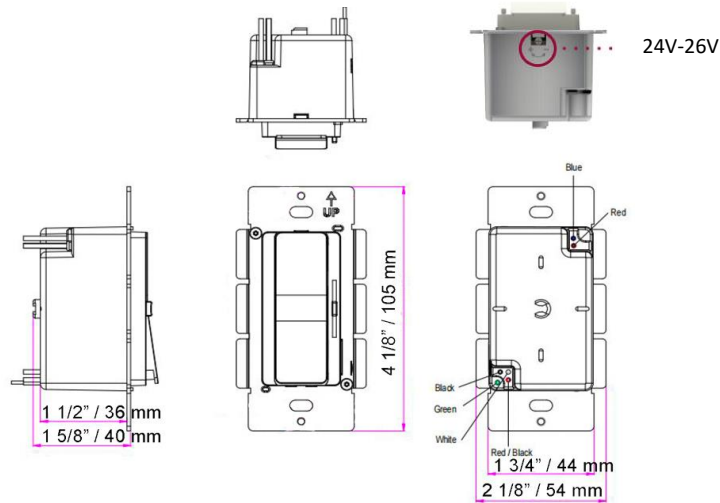
[all 24V DC fixtures](#) [24V pucks](#) [24V step lights](#)

### FEATURES & BENEFITS

Eliminates compatibility issues between drivers and dimmers

Includes separation plate that allows installation of high and low voltage circuits in the same box

Fine tuning of the output voltage



Project: \_\_\_\_\_

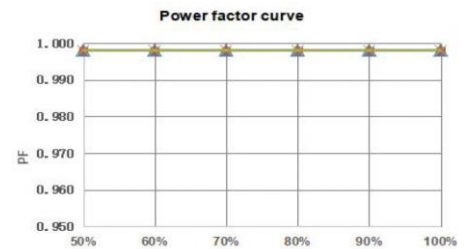
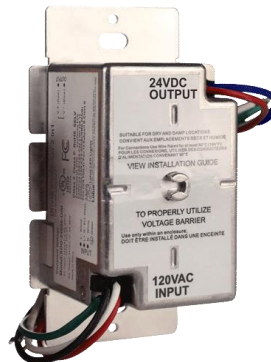
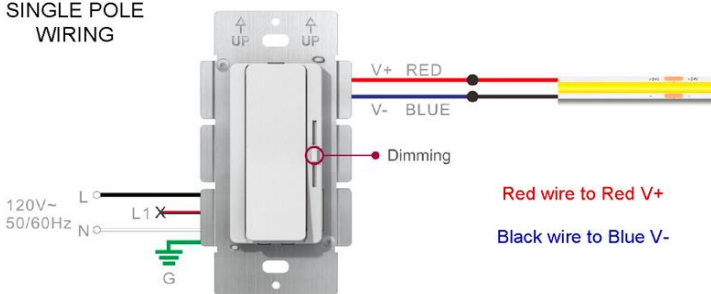
Location: \_\_\_\_\_

Qty: \_\_\_\_\_

Notes: \_\_\_\_\_

SPECIFICATION	
Applications	24V DC single CCT & DTW LED installations
Power	96 W
Input	120V AC 60 Hz
Output V / A	24V DC / 4A
Voltage Adjustment	24 to 26 V +/- 0.5V
Type	Constant Voltage PWM output
Min / Max Load:	no minimum / 96 W
Dimming Range	0.3% - 100%
Wiring	Single Pole or 3-Way
THD	< 10% at full load
Power Factor	> 0.99 at full load
Efficiency	91% at full load
Inrush Current	50A, 150us @ 50%
Leakage current	< 0.5mA
PWM Frequency	16 KHz
Net Weight	0.55 lbs / 0.25 kg
Protection	short circuit, over-voltage, over-heat, over-load
Approved Location	Dry & Damp Locations
Working Temperature	-40°F (-40°C) to +140°F (+60°C)
Warranty	5 Year when used with Lotus products
Safety standards	c UL us Listed UL8750; CAN/CSA-C22.2 No.250.13
Certifications	Class 2, UL Class P, FCC Part 15 Subpart B Class B

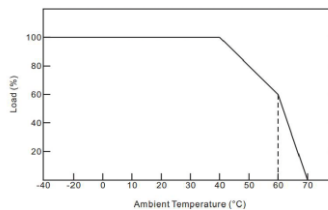
### SINGLE POLE WIRING



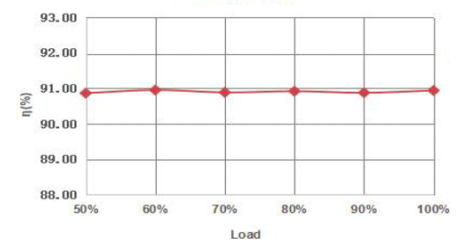
### 3-WAY WIRING DIAGRAM

ORDERING GUIDE **SDD-24096-DIM**

ng Curve (Output power VS Ambient TEMP)



Efficiency Curve



Lotus LED Lights USA  
250 H Street # 301, Blaine WA 98230 tel 360-200-5500  
Hainesport NJ & Ferndale WA

[www.LotusLEDLights.com](http://www.LotusLEDLights.com)  
mailing addresses  
warehouses

Lotus LED Lights CANADA  
1080 Cliveden Ave # 6, Delta BC V3M 6G6 tel 604-538-3090  
Delta BC & Mississauga ON