



SVD-24060-J-5CCT

5CCT Selectable 24V Constant Voltage 60W
Driver 5-in-1 Dimmable

Project: _____
 Location: _____
 Qty: _____
 Notes: _____

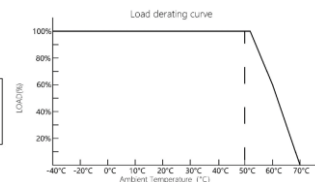
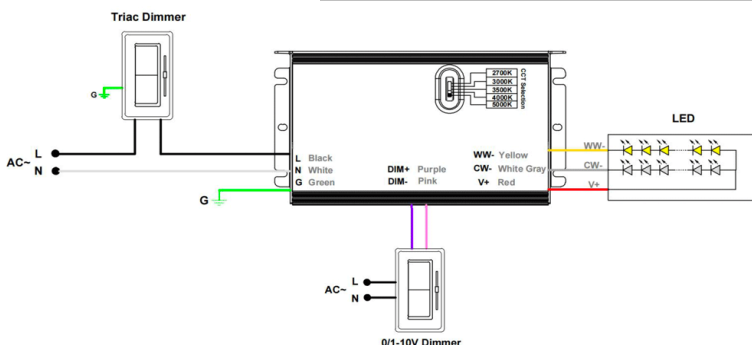
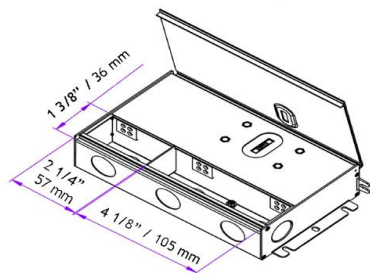
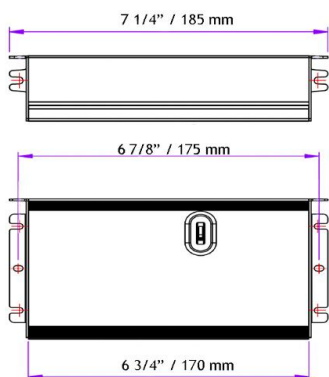
DESCRIPTION

5CCT Selectable 24V 60W class 2 power supply with built-in wiring compartments for line and low voltage connections
 5-in-1 forward and reverse phase dimming:
 TRIAC / ELV / MLV, 0-10V, 1-10V, Potentiometer, 10V PWM

FEATURES & BENEFITS

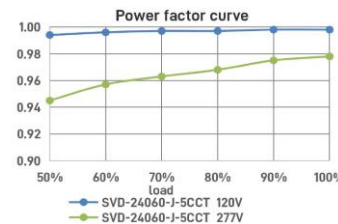
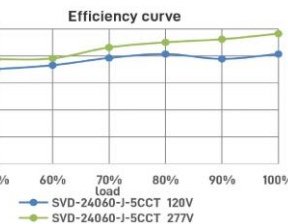
Use with Lotus LED tape model [LBL-COB-TW5CCT-IP20](#)
 High quality electronic LED driver with superior dimming compatibility
 Active Power Factor Correction (PFC) & Pulse Width Modulation (PWM)
 dimming ensures excellent compatibility with most dimmers
 Multiple knock-outs for easy wiring

DIMENSIONS



ORDERING GUIDE SVD-24060-J-5CCT

WARNING:
 Do not exceed ambient temperature range from -40°F (-40°C) to +122°F (+50°C).
 Please mount in a shaded area or when mounted indoors install in a well-ventilated area.
 Failure to follow these instructions could lead to overheating, short life and void the warranty.



Lotus LED Lights USA
 250 H Street # 301, Blaine WA 98230 tel 360-200-5500
 Hainesport NJ & Ferndale WA

www.LotusLEDLights.com
 mailing addresses
 warehouses

Lotus LED Lights CANADA
 1080 Cliveden Ave # 6, Delta BC V3M 6G6 tel 604-538-3090
 Delta BC & Mississauga ON