

AVAIL RETROFIT

Adjustable 5CCT Downlight

The Avail Retrofit series recessed downlights offer an easy and cost-effective way to upgrade your existing recessed housings to LED. The Avail Select series further enhances convenience with its 5-in-1 selectable color temperature settings, allowing you to choose from a warm 2700K to a bright 5000K daylight. Easily adjust the color temperature to your preference now and adapt to future changes with ease.

- Excellent color rendering (90+ CRI)
- Aluminum housing with polycarbonate lens
- Five selectable color temperatures:
2700K / 3000K / 3500K / 4000K / 5000K
- Lumen output up to 1400 Lumens
- Fits most standard 4", 5" and 6" recessed housings
- Dimmable with most TRIAC dimmers
- cETLus Listed for wet locations
- 50,000 hours rated life
- ENERGY STAR Certified
- JA8 Compliant



ADVANTAGE SELECT SERIES QUICK SPECS

| | |
|-----------------------|---------------------------------------|
| VOLTAGE | 120V AC, 60Hz |
| WATTAGE | 10W / 15W |
| LUMENS | See Ordering Information |
| CCT OPTIONS | 2700K / 3000K / 3500K / 4000K / 5000K |
| CRI | 90+ |
| MOUNTING | Retrofit Recessed mount |
| DIMMING | TRIAC / CL / ELV (10 - 100%) |
| BEAM ANGLE | 95° |
| OPERATING TEMP | -20°C (-4°F) to 40°C (104°F) |
| CERTIFICATIONS | cETLus Listed - Wet Location |
| RATED LIFE | 50,000 Hours |

PROJECT: _____

TYPE: _____

LOCATION: _____

CATALOG NUMBER: _____

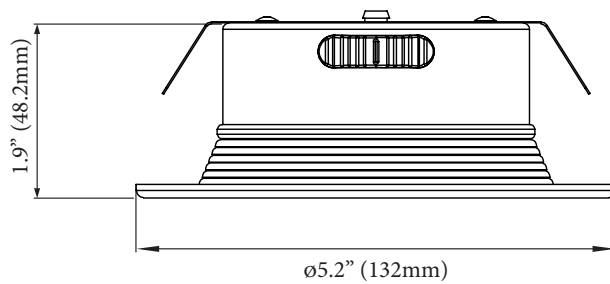


AVAIL RETROFIT SERIES ORDERING INFORMATION

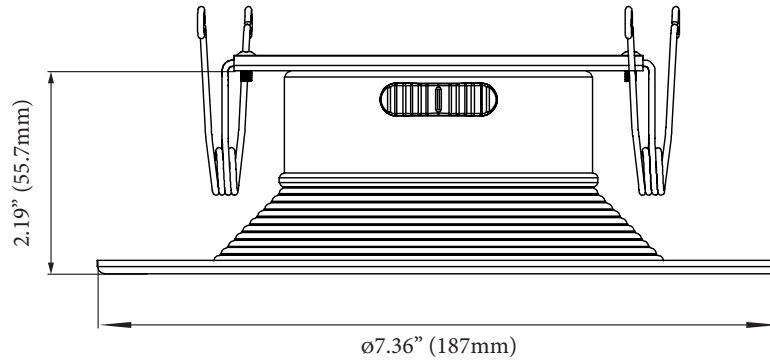
| ITEM NUMBER | SIZE | FINISH | VOLTAGE | CCT | CRI | LM @ 27 | LM @ 30 | LM @ 35 | LM @ 40 | LM @ 50 | WATTAGE | DIMMING |
|----------------|------|--------------|---------|------|-----|---------|---------|---------|---------|---------|---------|---------|
| AVD4-5CCT-WH | 4" | White | 120V AC | 5CCT | 90+ | 830 | 870 | 920 | 920 | 870 | 10W | 10-100% |
| AVD4B-5CCT-WH | 4" | White Baffle | 120V AC | 5CCT | 90+ | 830 | 870 | 920 | 920 | 870 | 10W | 10-100% |
| AVD4-5CCT-DB | 4" | Dark Bronze | 120V AC | 5CCT | 90+ | 825 | 830 | 860 | 860 | 830 | 10W | 10-100% |
| AVD4-5CCT-BK | 4" | Black | 120V AC | 5CCT | 90+ | 825 | 830 | 860 | 860 | 830 | 10W | 10-100% |
| AVD56-5CCT-WH | 5/6" | White | 120V AC | 5CCT | 90+ | 1250 | 1340 | 1400 | 1400 | 1340 | 15W | 10-100% |
| AVD56B-5CCT-WH | 5/6" | White Baffle | 120V AC | 5CCT | 90+ | 1250 | 1340 | 1400 | 1400 | 1340 | 15W | 10-100% |
| AVD56-5CCT-DB | 5/6" | Dark Bronze | 120V AC | 5CCT | 90+ | 1240 | 1280 | 1400 | 1400 | 1270 | 15W | 10-100% |
| AVD56-5CCT-BK | 5/6" | Black | 120V AC | 5CCT | 90+ | 1240 | 1280 | 1400 | 1400 | 1270 | 15W | 10-100% |
| AVD6S-5CCT-WH | 6" | White Gimbal | 120V AC | 5CCT | 90+ | 1230 | 1250 | 1300 | 1300 | 1250 | 15W | 10-100% |

AVAIL RETROFIT SERIES QUICK DIMENSIONS AD56

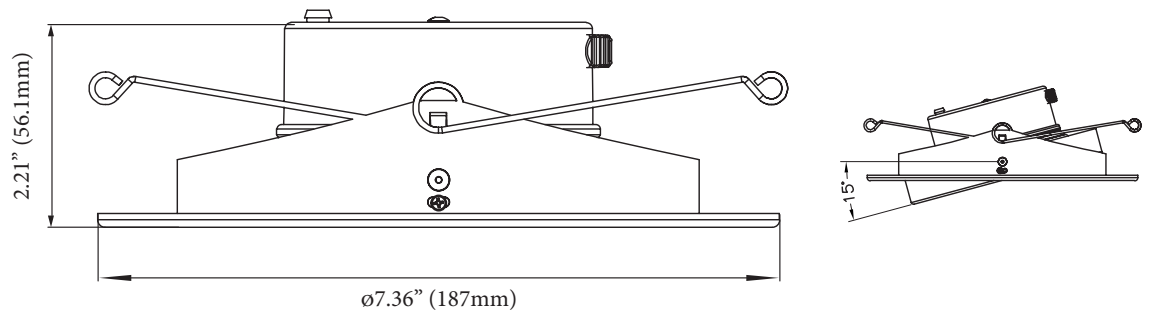
AVAIL SELECT 4"



AVAIL SELECT 5/6"



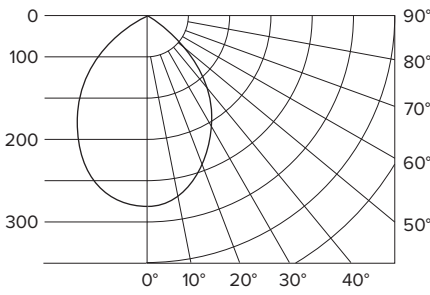
AVAIL SELECT 6" SWIVEL



AVAIL RETROFIT SERIES PHOTOMETRICS

AD4-5CCT

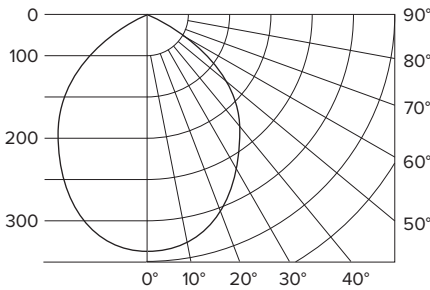
| | |
|--------------------|---------------------|
| PART NUMBER | AVD4-5CCT-WH |
| BEAM SPREAD | 95° |
| LUMENS | 849Lm |
| WATTAGE | 10W |
| EFFICACY | 84.9Lm per watt |
| CCT | @2700K |
| CRI | 90 |



| Foot Candles | Distance From Light | Beam Dia. |
|--------------|---------------------|-----------|
| 9.1 | 5' | 10.9' |
| 6.3 | 6' | 13.1' |
| 4.6 | 7' | 15.3' |
| 3.5 | 8' | 17.5' |
| 2.8 | 9' | 19.6' |
| 2.3 | 10' | 21.8' |

AD56-5CCT

| | |
|--------------------|----------------------|
| PART NUMBER | AVD56-5CCT-WH |
| BEAM SPREAD | 95° |
| LUMENS | 1263Lm |
| WATTAGE | 15W |
| EFFICACY | 84.2Lm per watt |
| CCT | @2700K |
| CRI | 90 |



| Foot Candles | Distance From Light | Beam Dia. |
|--------------|---------------------|-----------|
| 13.5 | 5' | 10.9' |
| 9.4 | 6' | 13.1' |
| 6.9 | 7' | 15.3' |
| 5.3 | 8' | 17.5' |
| 4.2 | 9' | 19.6' |
| 3.4 | 10' | 21.8' |

AVAIL RETROFIT SERIES RECOMMENDED DIMMERS

| BRAND | MODEL # |
|---------|-------------------------|
| Lutron | Maestro MACL-153MR-WH |
| Lutron | Diva DVWCL-153P |
| Lutron | Skylark CTCL-153PDH |
| Lutron | Toggler TGCL-153PH |
| Leviton | 6672 |
| Leviton | 6674 |
| Lutron | Skylark S-600H |
| Lutron | Toggler TG-600PH |
| Leviton | Diva DV-600PR |
| Lutron | Skylark ELV SELV - 300P |
| Lutron | Diva ELV DVELV - 300P |
| Lutron | Skylark SLV-600P-IV |

Dimmer performance may vary in field application due to unknown external factors. Dimmers not included on the chart above are not necessarily incompatible; they have yet to be fully evaluated. Please reference dimmer manufacturer's instructions for more detailed information regarding performance and compatibility. Test data listed above is based on single lamp data.



AMERICAN LIGHTING WARRANTY

LIMITED WARRANTY FOR LED PRODUCTS: 5 YEARS

LIMITED PRODUCT WARRANTY

Our products are warranted to be free from defects in material and workmanship for the warranty period listed. Warranty periods begin from the date of shipment from American Lighting Inc's warehouse to the original purchaser. Products that prove to be defective during their specific warranty period will be either repaired or replaced, at the sole discretion of American Lighting Inc. Claims for defective products must be submitted in writing to American Lighting Inc's RGA Department within the warranty period. Upon approval of such return, American Lighting Inc reserves the right to inspect the product for misuse or abuse. Claims for indirect or consequential damages or for product that, in American Lighting Inc's opinion, has been misused will be denied. This is a warranty of product reliability only and not a warranty of merchantability or fitness for a particular purpose. American Lighting Inc shall have no liability whatsoever in any event for payment of incidental or consequential damages, including, without limitations, installation costs and/or damages for personal injury and/or property. These products may represent a possible shock or fire hazard if improperly installed or altered in any way. This warranty does not apply to any product that has not been properly installed in accordance with current local codes and/or the National Electrical Code. Products that require a transformer, driver, or power supply must be used in conjunction with American Lighting Inc's recommended power supply to ensure safety and retain product warranty.

PRODUCT SPECIFICATIONS

For the latest product information, updates, instructions and details concerning specifications, colors, finishes, performance, installation and design, visit www.americanlighting.com. Color may vary from the color printed herein due to limitations in photographic and printing processes. American Lighting Inc. reserves the right to change product specifications without notice. Other product specifications such as color temperature, wavelength characteristics and lumen output are subject to production limitations and may vary. LED technology is changing rapidly, and not all color temperatures and performance levels can be duplicated at a later time. Best practices include purchasing 10-15% more for a particular project on the same initial order where white LED color temperatures must be maintained over project and product life. Eventual product replacement should be considered at layout and design stages. Best practices also include testing connections and product performance prior to mounting and/or installing.

AVERAGE LIFE

Average incandescent lamp life, rated life and average life are terms used to describe the number of hours at which half of the lamps have failed. For LEDs, the hours of rated life specify the point where 70% of original lumen output is reached. Below this point, the effective life is over, however, the LED may still emit light. Individual results may vary with actual environmental conditions including, but not limited to, proper installation, ambient temperature and/or input voltage fluctuations.