

RHYME DOWNLIGHTS

Rhyme “Click Action” Remodel Downlight

The Rhyme series captures small aperture and low-profile together in a series of downlights available in trim or trimless style options and provides ease of installation through an innovative click-action mechanism.

- Click-action mechanism allows for quick and easy installation as well as maintenance
- Each light module includes (1) mud-in trimless accessory and (1) trim accessory
- Aluminum housing with polycarbonate lens
- 5CCT Adjustable color temperature (2700K / 3000K / 3500K / 4000K / 5000K)
- Lumen output up to 1520 Lumens
- Dimmable with most TRIAC/ELV dimmers
- cETLus Listed for wet locations, JA8 Compliant, Type IC, Air-tight
- 50,000 hours rated life



PROJECT:
TYPE:
LOCATION:
CATALOG NUMBER:



RHYME DOWNLIGHT QUICK SPECS

VOLTAGE	120V AC, 60Hz
WATTAGE	12W (GIM) / 15W
LUMENS	Up to 1520Lm
CCT OPTIONS	5CCT (2700K / 3000K / 3500K / 4000K / 5000K)
CRI	90+
MOUNTING	Recessed mount
IP RATING	IP44
DIMMING	TRIAC/ELV (10 - 100%)
BEAM ANGLE	36° (GIM) / 24°-50° (ZOM) / 24°, 36°, 60° (THNC)
OPERATING TEMP	-20°C (-4°F) to 40°C (104°F)
CERTIFICATIONS	cETLus Listed, FCC, JA8, Wet Location, Air-Tight, Type IC, RoHS
RATED LIFE	50,000 Hours

RHYM-DL3R-15-2450-ZOM-5CCT



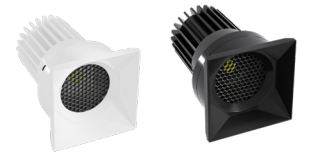
RHYM-DL3R-12-36-GIM-5CCT



RHYM-DL3R-15-24-THNC-5CCT



RHYM-DL3Q-15-24-THNC-5CCT



RHYME DOWNLIGHT ORDERING INFORMATION

ITEM NUMBER	DESCRIPTION	FINISH	VOLTAGE	CCT	CRI	LM	WATTAGE
RHYM-DL3R-12-36-GIM-5CCT-WH	3" Round Eyeball Gimbal, TIR Lens, 36° Beam Angle	White	120V AC	5CCT	90+	1160 - 1250	12W
RHYM-DL3R-12-36-GIM-5CCT-BK	3" Round Eyeball Gimbal, TIR Lens, 36° Beam Angle	Black	120V AC	5CCT	90+	1090 - 1190	12W
RHYM-DL3R-15-2450-ZOM-5CCT-WH	3" Round Beam Angle Adjustable, TIR Lens, 24°-50° Beam Angle	White	120V AC	5CCT	90+	895 - 1160	15W
RHYM-DL3R-15-2450-ZOM-5CCT-BK	3" Round Beam Angle Adjustable, TIR Lens, 24°-50° Beam Angle	Black	120V AC	5CCT	90+	895 - 1150	15W
RHYM-DL3R-15-36-THNC-5CCT-WH	3" Round Deep Baffle w/ Honeycomb Louver, TIR Lens, 36° Beam Angle	White	120V AC	5CCT	90+	1305 - 1475	15W
RHYM-DL3R-15-36-THNC-5CCT-BK	3" Round Deep Baffle w/ Honeycomb Louver, TIR Lens, 36° Beam Angle	Black	120V AC	5CCT	90+	1185 - 1310	15W
RHYM-DL3Q-15-36-THNC-5CCT-WH	3" Square Deep Baffle w/ Honeycomb Louver, TIR Lens, 36° Beam Angle	White	120V AC	5CCT	90+	1330 - 1520	15W
RHYM-DL3Q-15-36-THNC-5CCT-BK	3" Square Deep Baffle w/ Honeycomb Louver, TIR Lens, 36° Beam Angle	Black	120V AC	5CCT	90+	1235 - 1350	15W

All Models Include (1) Remote Driver / (1) Plastic Mudstopper Accessory

RHYME Gimbal Includes: (1) Round Trimless Mud-Ring / (1) Round Trim-Ring

RHYME Adjustable Beam Includes: (1) Round Trimless Mud-Ring / (1) Round Trim-Ring

RHYME Deep Baffle Round Includes: (1) Round Trimless Mud-Ring / (1) Round Trim-Ring / (2) Field Adjustable Optics (24° and 60°) (Default is 36°)

RHYME Deep Baffle Square Includes: (1) Square Trimless Mud-Ring / (1) Square Trim-Ring / (2) Field Adjustable Optics (24° and 60°) (Default is 36°)

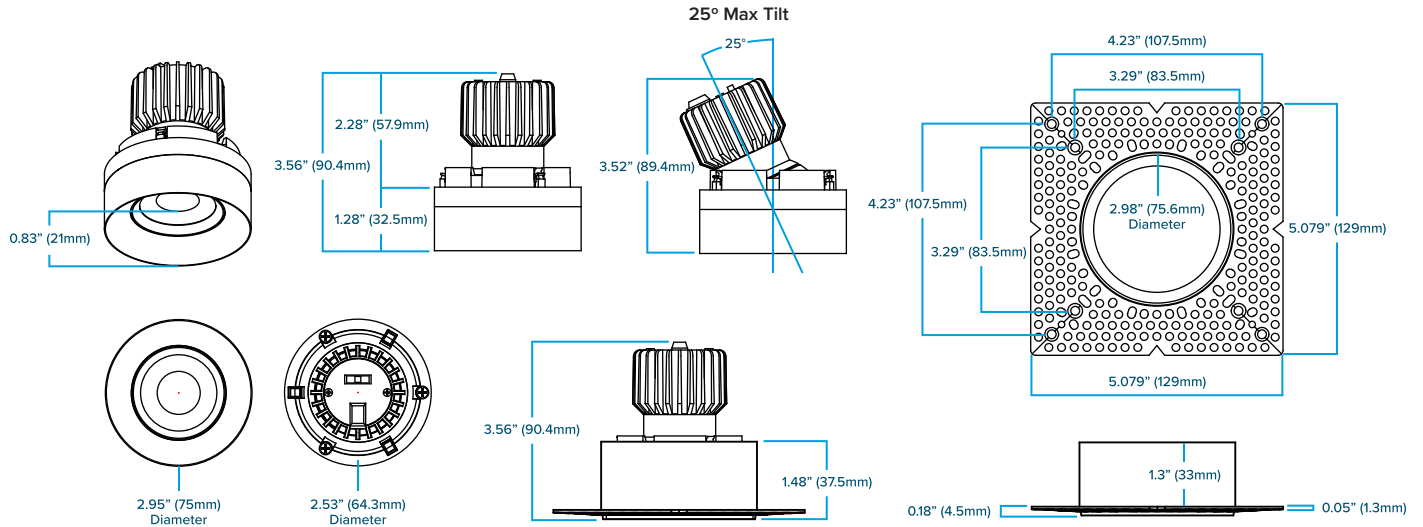
RHYME DOWNLIGHT ACCESSORY ORDERING INFORMATION

ITEM NUMBER	SIZE
RP-DL3-RHYM	3.62" Steel Rough-in Plate with Hanger Bars



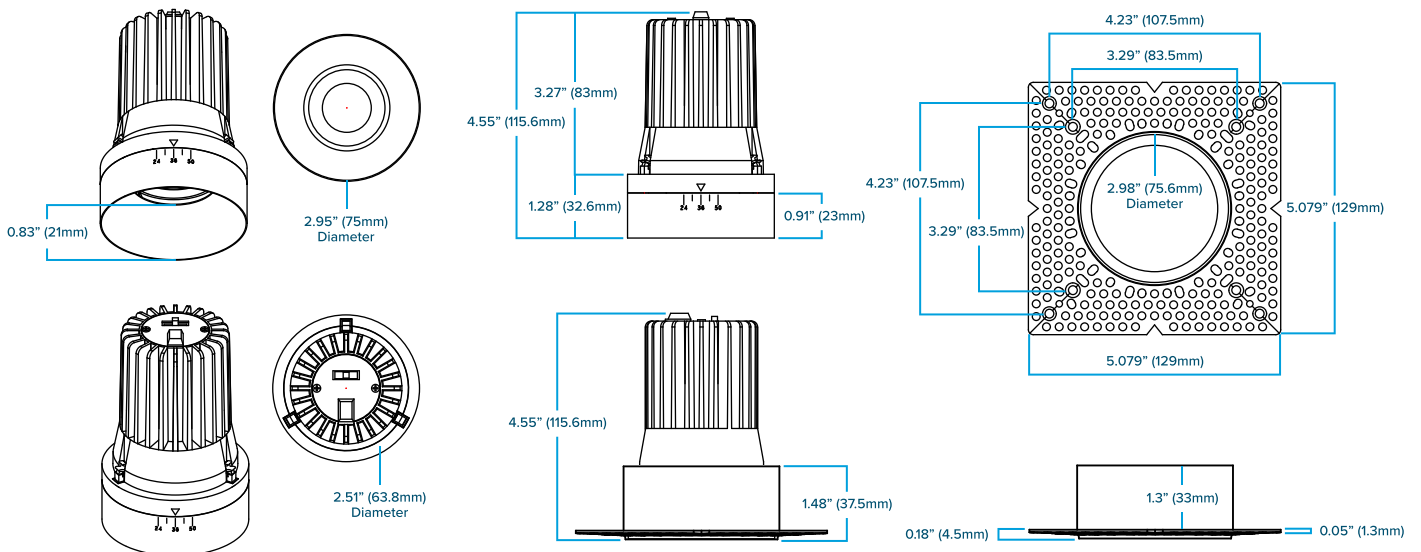
RHYME DOWNLIGHT DIMENSIONS

EYEBALL GIMBAL

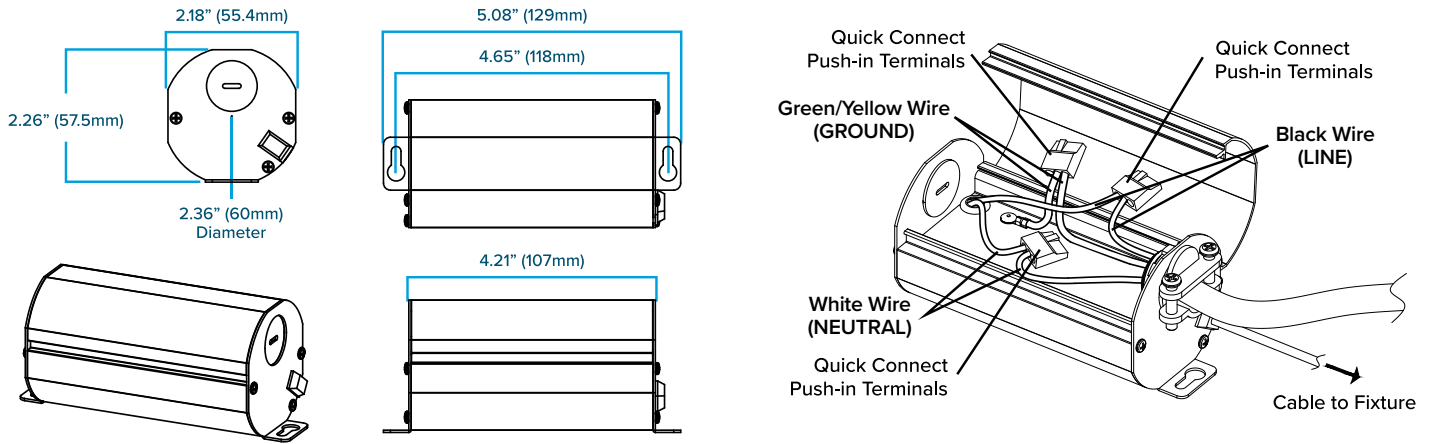


RHYME DOWNLIGHT DIMENSIONS

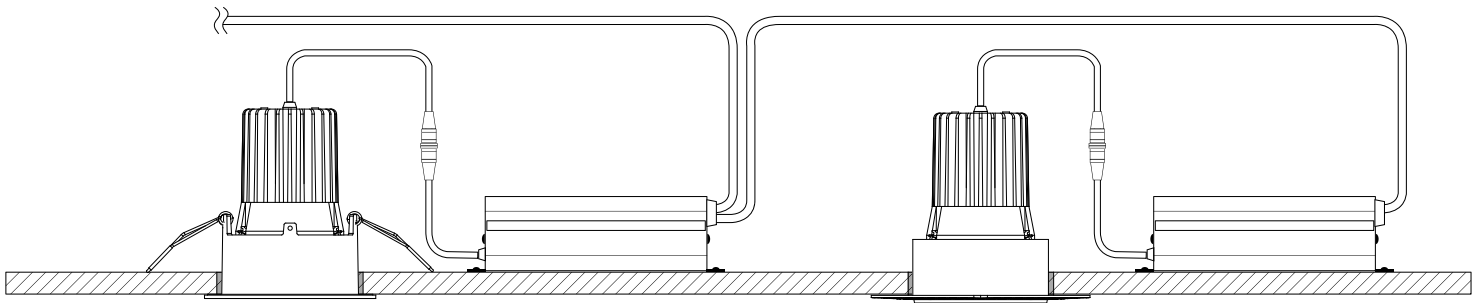
BEAM ANGLE ADJUSTABLE



RHYME DOWNLIGHT DRIVER DIMENSIONS



RHYME DOWNLIGHT INSTALLATION





AMERICAN LIGHTING WARRANTY

LIMITED WARRANTY FOR LED PRODUCTS: 5 YEARS

LIMITED PRODUCT WARRANTY

Our products are warranted to be free from defects in material and workmanship for the warranty period listed. Warranty periods begin from the date of shipment from American Lighting Inc's warehouse to the original purchaser. Products that prove to be defective during their specific warranty period will be either repaired or replaced, at the sole discretion of American Lighting Inc. Claims for defective products must be submitted in writing to American Lighting Inc's RGA Department within the warranty period. Upon approval of such return, American Lighting Inc reserves the right to inspect the product for misuse or abuse. Claims for indirect or consequential damages or for product that, in American Lighting Inc's opinion, has been misused will be denied. This is a warranty of product reliability only and not a warranty of merchantability or fitness for a particular purpose. American Lighting Inc shall have no liability whatsoever in any event for payment of incidental or consequential damages, including, without limitations, installation costs and/or damages for personal injury and/or property. These products may represent a possible shock or fire hazard if improperly installed or altered in any way. This warranty does not apply to any product that has not been properly installed in accordance with current local codes and/or the National Electrical Code. Products that require a transformer, driver, or power supply must be used in conjunction with American Lighting Inc's recommended power supply to ensure safety and retain product warranty.

PRODUCT SPECIFICATIONS

For the latest product information, updates, instructions and details concerning specifications, colors, finishes, performance, installation and design, visit www.americanlighting.com. Color may vary from the color printed herein due to limitations in photographic and printing processes. American Lighting Inc. reserves the right to change product specifications without notice. Other product specifications such as color temperature, wavelength characteristics and lumen output are subject to production limitations and may vary. LED technology is changing rapidly, and not all color temperatures and performance levels can be duplicated at a later time. Best practices include purchasing 10-15% more for a particular project on the same initial order where white LED color temperatures must be maintained over project and product life. Eventual product replacement should be considered at layout and design stages. Best practices also include testing connections and product performance prior to mounting and/or installing.

AVERAGE LIFE

Average incandescent lamp life, rated life and average life are terms used to describe the number of hours at which half of the lamps have failed. For LEDs, the hours of rated life specify the point where 70% of original lumen output is reached. Below this point, the effective life is over, however, the LED may still emit light. Individual results may vary with actual environmental conditions including, but not limited to, proper installation, ambient temperature and/or input voltage fluctuations.