

| | |
|---------------------|--------------|
| Project: | Type: |
| Prepared By: | Date: |

| Driver Info | | LED Info | |
|-------------|-------------------|----------------|------------------|
| Type | Constant Current | Watts | 40/30/20W |
| 120V | 0.32A/0.25A/0.17A | Color Temp | 3500/4000/5000K |
| 208V | 0.19A/0.15A/0.11A | Color Accuracy | 81-85 CRI |
| 240V | 0.16A/0.13A/0.10A | L70 Lifespan | 100,000 Hours |
| 277V | 0.14A/0.12A/0.08A | Lumens | 2812-5142 lm |
| Input Watts | 20.3-38.7W | Efficacy | 121.6-147.2 lm/W |

Technical Specifications

Field Adjustability

Field Adjustable:

Field Adjustable Light Output:
40W/30W/20W (factory default 40W)
Color temperature selectable by 3500K, 4000K and 5000K (factory default 4000K)

Compliance

UL Listed:

Suitable for damp locations

IC Rated:

Suitable for direct contact with insulation

CCEA Compliant:

Luminaire Requirements used in Environmental Air Space per the electrical code specification of the City of Chicago

IESNA LM-79 & LM-80 Testing:

RAB LED luminaires and LED components have been tested by an independent laboratory in accordance with IESNA LM-79 and LM-80.

IP Rating:

IP20

DLC Listed:

This product is on the Design Lights Consortium (DLC) Qualified Products List and is eligible for rebates from DLC Member Utilities.
DLC Product Code: S-5M6KDV

LED Characteristics

LEDs:

Long-life, high-efficiency, discrete, surface-mount LEDs

Performance

Lifespan:

100,000-Hour LED lifespan based on IESIm-80 results and TM-21 calculations

Electrical

Driver:

Constant Current, Class 2, 120-277V 50/60 Hz:
40W: 120V: 0.37A, 208V: 0.22A, 240V: 0.19A, 277V: 0.17A
30W: 120V: 0.28A, 208V: 0.17A, 240V: 0.15A, 277V: 0.13A
20W: 120V: 0.19A, 208V: 0.12A, 240V: 0.10A, 277V: 0.09A

Dimming Driver:

Driver includes dimming control wiring for 0-10V dimming systems. Requires separate 0-10V DC dimming circuit. Dims down to 10%.

Battery Backup:

Battery backup will operate the fixture for 90 minutes if power fails. Wired for 120-277V.

Battery Backup Light Loss Factor:

40W: 0.31
30W: 0.38
20W: 0.50

Aux Power Supply:

No

Dim to Off:

No

Surge Protection:

Ringwave 2.5KV

Construction

Cold Weather Starting:

The minimum starting temperature is -4°F (-20°C)

Lens:

Frosted polystyrene

Housing:

Aluminum frame & cold rolled steel back housing

Finish:

White

Technical Specifications (continued)

Reflector:

Powder-coated sheet metal

Green Technology:

Mercury and UV free. RoHS-compliant components.

Installation

Mounting:

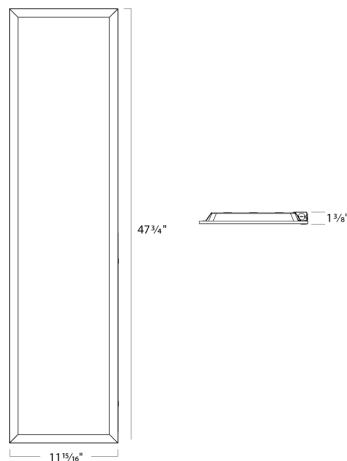
Recessed into T-grid ceiling. Surface and recessed mounting kits available for drywall ceilings.

Other

5-Year Limited Warranty:

The RAB 5-year, limited warranty covers light output, driver performance and paint finish. RAB's warranty is subject to all terms and conditions found at rablighting.com/warranty.

Dimensions



Features

- 0-10V dimming
- 100,000-Hour LED lifespan
- 5-Year, limited warranty
- 2 per case, must order in case quantity increments

Ordering Matrix

| Family | Size/Wattage | Color Temp | Finish | Driver | Battery Backup |
|--------|--|-------------------------|---------------|---------------------------------|-------------------------------------|
| T17FA | 1X4 | | | | /E |
| | 2X2 = 2' x 2', 40/30/20W 1X4 = 1' x 4', 40/30/20W 2X4 = 2' x 4', 50/40/30W | Blank = 3500/4000/5000K | Blank = White | Blank = 120-277V, 0-10V Dimming | Blank = None /E = Battery Backup |