

LED performance in an economical 1x4 troffer.

Color: White

Weight: 4.1 lbs

<b>Project:</b>	<b>Type:</b>
<b>Prepared By:</b>	<b>Date:</b>

Driver Info		LED Info	
Type	Constant Current	Watts	40/30/20W
120V	0.32A/0.25A/0.17A	Color Temp	3500/4000/5000K
208V	0.19A/0.15A/0.11A	Color Accuracy	81-85 CRI
240V	0.16A/0.13A/0.10A	L70 Lifespan	100,000 Hours
277V	0.14A/0.12A/0.08A	Lumens	2812-5142 lm
Input Watts	20.3-38.7W	Efficacy	121.6-147.2 lm/W

## Technical Specifications

### Field Adjustability

#### Field Adjustable:

Field Adjustable Light Output:

40W/30W/20W (factory default 40W)

Color temperature selectable by 3500K, 4000K and 5000K (factory default 4000K)

### Compliance

#### UL Listed:

Suitable for damp locations

#### IC Rated:

Suitable for direct contact with insulation

#### CCEA Compliant:

Luminaire Requirements used in Environmental Air Space per the electrical code specification of the City of Chicago

#### IESNA LM-79 & LM-80 Testing:

RAB LED luminaires and LED components have been tested by an independent laboratory in accordance with IESNA LM-79 and LM-80.

#### IP Rating:

IP20

#### DLC Listed:

This product is on the Design Lights Consortium (DLC) Qualified Products List and is eligible for rebates from DLC Member Utilities.

DLC Product Code: S-5M6KDV

### LED Characteristics

#### LEDs:

Long-life, high-efficiency, discrete, surface-mount LEDs

### Performance

#### Lifespan:

100,000-Hour LED lifespan based on IESlm-80 results and TM-21 calculations

### Electrical

#### Driver:

Constant Current, Class 2, 120-277V 50/60 Hz:

40W: 120V: 0.37A, 208V: 0.22A, 240V: 0.19A, 277V: 0.17A

30W: 120V: 0.28A, 208V: 0.17A, 240V: 0.15A, 277V: 0.13A

20W: 120V: 0.19A, 208V: 0.12A, 240V: 0.10A, 277V: 0.09A

#### Dimming Driver:

Driver includes dimming control wiring for 0-10V dimming systems. Requires separate 0-10V DC dimming circuit. Dims down to 10%.

#### Aux Power Supply:

No

#### Dim to Off:

No

#### Surge Protection:

Ringwave 2.5KV

### Construction

#### Cold Weather Starting:

The minimum starting temperature is -4°F (-20°C)

#### Lens:

Frosted polystyrene

#### Housing:

Aluminum frame & cold rolled steel back housing

#### Finish:

White

#### Reflector:

Powder-coated sheet metal

#### Green Technology:

Mercury and UV free. RoHS-compliant components.

## Technical Specifications (continued)

### Installation

#### Mounting:

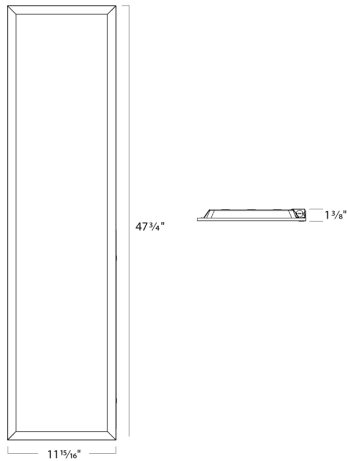
Recessed into T-grid ceiling. Surface and recessed mounting kits available for drywall ceilings.

### Other

#### 5-Year Limited Warranty:

The RAB 5-year, limited warranty covers light output, driver performance and paint finish. RAB's warranty is subject to all terms and conditions found at [rablighting.com/warranty](http://rablighting.com/warranty).

## Dimensions



## Features

- 0-10V dimming
- 100,000-Hour LED lifespan
- 5-Year, limited warranty
- 2 per case, must order in case quantity increments

## Ordering Matrix

Family	Size/Wattage	Color Temp	Finish	Driver	Battery Backup
T17FA	1X4				
	2X2 = 2' x 2', 40/30/20W 1X4 = 1' x 4', 40/30/20W 2X4 = 2' x 4', 50/40/30W	Blank = 3500/4000/5000K	Blank = White	Blank = 120-277V, 0-10V Dimming	Blank = None /E = Battery Backup