

|                 |              |                     |              |
|-----------------|--------------|---------------------|--------------|
| <b>Project:</b> | <b>Type:</b> | <b>Prepared By:</b> | <b>Date:</b> |
|-----------------|--------------|---------------------|--------------|



UPC: 019813908434

**Features and Benefits**

- Impact resistant, can handle demanding construction site environments
- Omni-directional light distribution
- Lightweight design with high output
- US Cord and Plug
- IP64 Water and Dust resistant
- 6kV surge protection built in
- 50,000 hour Lifespan
- 5 Year No Compromise Warranty

**Technical Specifications**

**Performance**

**Product Type:**  
LED temporary High Bay

**Input Wattage:**  
60W

**Lumens:**  
7,200lm

**Efficacy:**  
110lm/W

**L70 Lifespan:**  
50,000-Hour LED lifespan based on IES LM-80 results and TM-21 calculations

**Wattage Equivalency:**  
250W

**LED Characteristics**

**Color Accuracy (CRI):**  
80

**Color Temperature:**  
5000K

**Beam Angle:**  
360°

**Construction**

**Bulb Shape:**  
Temporary Work Light

**Enclosure Material:**  
Polycarbonate

**Housing Finish:**  
Construction Orange

**Weight:**  
2.78 lbs

**Installation**

**Cord & Plug:**  
US Plug, 6FT cord

**Installation Method:**  
US Cord and Plug, linkable up to 10 units

**Electrical**

**THD:**  
<20%

**Power Factor:**  
>0.9

**Input Voltage:**  
120-277V

**Operating Frequency:**  
60 Hz

**Operating Temperature:**  
-30°C to 60°C

**Surge Protection:**  
6kV

**Other**

**Technology EQ:**  
Metal Halide or High Pressure Sodium

**Warranty:**  
RAB warrants that our LED products will be free from defects in materials and workmanship for a period of five (5) years from the date of delivery to the end user, including coverage of light output, color stability, driver performance and fixture finish. RAB's warranty is subject to all terms and conditions found at [rablighting.com/warranty](http://rablighting.com/warranty).



**Technical Specifications (continued)**

**Compliance**

**Listings:**

UL Listed

**Environment:**

Damp / Open

**IP Rating:**

IP64

**RoHS:**

Mercury and UV free. RoHS-compliant components.

**FCC:**

Complies with Part 15B of the FCC Rules

**Certification Model Number:**

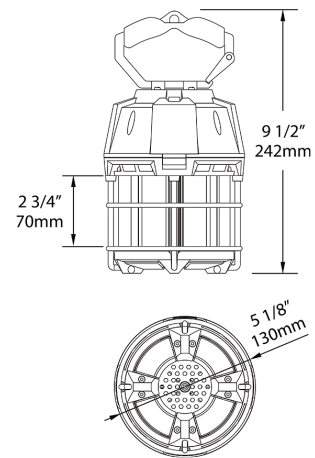
H10040(TEMP-60-850)

\

**Case and Pallet Dimensions**

|        | QTY | LENGTH (in) | WIDTH (in) | HEIGHT (in) |
|--------|-----|-------------|------------|-------------|
| CASE   | 4   | 0           | 0          | 0           |
| PALLET | 96  | 0           | 0          | 0           |

**Dimension**



Light Distribution

