

Weight: 4.4 lbs

|                     |              |
|---------------------|--------------|
| <b>Project:</b>     | <b>Type:</b> |
| <b>Prepared By:</b> | <b>Date:</b> |

| Driver Info |                  | LED Info       |              |
|-------------|------------------|----------------|--------------|
| Type        | Constant Current | Watts          | 130W         |
| 120V        | 1.03A            | Color Temp     | 5000K        |
| 208V        | 0.62A            | Color Accuracy | 80 CRI       |
| 240V        | 0.55A            | L70 Lifespan   | 50,000 Hours |
| 277V        | 0.49A            | Lumens         | 15,304 lm    |
| Input Watts | 130W             | Efficacy       | 121.82       |

## Technical Specifications

### Performance

#### Product Type:

UFO High Bay Temp Light

#### Description :

Highbay temporary construction lighting that is linkable, high output and versatile enough for any construction project

#### Wattage Equivalency:

400W Metal Halide

#### Input Wattage:

130W

#### Lumens:

15,304lm

#### Efficacy:

121.82lm/W

#### L70 Lifespan:

50,000-Hour LED lifespan based on IES LM-70 results

### Electrical

#### Driver:

Constant Current Class 1 Driver

#### THD:

≤25%

#### Power Factor:

≥0.9

#### Dimmable:

No

#### Input Voltage:

120-277V

#### Operating Frequency:

50/60Hz

#### Input Current @ 120V (mA):

1030mA

#### Input Current @ 208V (mA):

620mA

#### Input Current @ 240V (mA):

550mA

#### Input Current @ 277V (mA):

490mA

#### Operating Temperature:

-20°F to 113°F (-30°C to 45°C)

#### Flicker:

≤30%

#### Surge Protection:

4 kV

### LED Characteristics

#### Beam Angle:

180°

#### Color Temperature:

5000K

#### Color Accuracy (CRI):

>80 CRI

#### Color Consistency:

<7-step MacAdam Ellipse binning to achieve consistent fixture-to-fixture color

### Installation

#### Hardware:

Comes with 1 ft 120V plug with M15 waterproof Connector, or 1Ft hard wire cable

#### Mounting:

Comes with caribinear hook for simple mounting

#### Plug:

18/3 AWG SJOW Cable with M15 waterproof connector

Male port with 6 ft of cable

Female port with .39 ft of cable

## Technical Specifications (continued)

### Linkable:

120V - 6 pcs, Max 640W  
277V - 14 pcs, Max 1260W

### Construction

---

#### Housing Finish:

Construction Orange

#### Lens:

Clear impact resistant Polycarbonate lens

#### Housing:

Die-cast aluminum housing with integrated waterproof on/off switch

### Compliance

---

#### Listings:

UL1598

#### Environment:

Suitable for use indoors and outdoors in dry, damp, or wet environments.

#### California Energy Commission (CEC) Status:

Lawful for Sales in California

#### RoHS:

Mercury and UV free. RoHS-compliant components.

#### FCC:

Complies with Part 15 of the FCC Rules

#### Trade Agreements Act Compliant:

This product is a product of Cambodia and a "designated country" end product that complies with the Trade Agreements Act

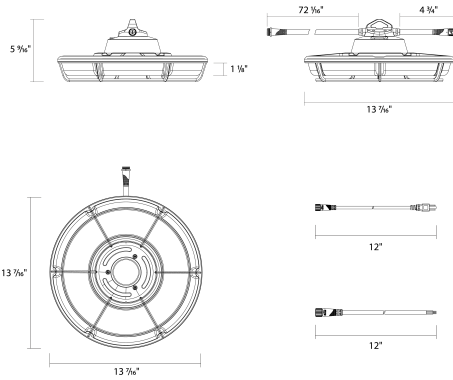
### Other

---

#### 3-Year Limited Warranty:

The RAB 3-year, limited warranty covers light output, driver performance and paint finish. RAB's warranty is subject to all terms and conditions found at [rablighting.com/warranty](http://rablighting.com/warranty)

## Dimensions



## Features

- Temporary UFO Highbay great for industrial applications
- Over 15,000 lumens and super bright 5000K CCT
- Robust die-cast aluminum construction with clear polycarbonate lens
- Linkable SJOW cord with water tight quick connectors to daisy chain fixtures
- 120-277V Driver, 4kV Surge protection, and IP65 Rated
- Comes with 120V NEMA 5-15 Plug and Hard Wire cable in box
- 120-277V NEMA Plug and 25FT Extension cable sold separately

## Ordering Matrix

| Family  | Wattage                | CRI/Color Temp        | Voltage          | Finish         |
|---------|------------------------|-----------------------|------------------|----------------|
| TEMPBAY | 130                    |                       |                  |                |
|         | 130 = 130W, (15,600lm) | Blank = 80 CRI, 5000K | Blank = 120-277V | Blank = Orange |