

Project:	Type:
Prepared By:	Date:

Driver Info		LED Info	
Type	Constant Current	Watts	10/8/06W
120V	0.08A/0.07A/0.05A	Color Temp	2700K/3000K/3500K/4000K/5000K
208V	0.00A/0.00A/0.00A	Color Accuracy	95-97 CRI
240V	0.00A/0.00A/0.00A	L70 Lifespan	100,000 Hours
277V	0.00A/0.00A/0.00A	Lumens	541-904 lm
Input Watts	5.7-9.7W	Efficacy	80-108.1 lm/W

Technical Specifications

Field Adjustability

Field Adjustable:

Field Adjustable Light Output:
10/8/6W (factory default 10W)
Color Temperature Selectable:
2700K, 3000K, 3500K, 4000K and 5000K (factory default 4000K)
Optical Field Adjustable: 24°-60° Adjustable

Compliance

UL Listed:

Suitable for dry locations

IP Rating:

IP20

LED Characteristics

LEDs:

Long-life, high-efficacy, COB (Chip on Board) LEDs

Color Temperature:

2700/3000/3500/4000/5000K CCT Adjustable

Electrical

Driver:

Constant Current, Class 2, 120V, 60 Hz, 120V
10W: 0.10A
8W: 0.08A
6W: 0.06A

Dimming Driver:

120V TRIAC Dimmers

Aux Power Supply:

No

Dim to Off:

No

Surge Protection:

Ring Wave L-N:2.5 kV, LN-PE 2.5 kV

Construction

Cold Weather Starting:

The minimum starting temperature is -4°F (-20°C)

Maximum Ambient Temperature:

Suitable for use in up to 104°F (40°C)

Lens:

Polycarbonate lens

Housing:

Aluminum

Finish:

Formulated for high durability and long-lasting color

Performance

Lifespan:

100,000-Hour LED lifespan based on IESlm-80 results and TM-21 calculations

Installation

Mounting:

H-Track Mount

Optical

Optics:

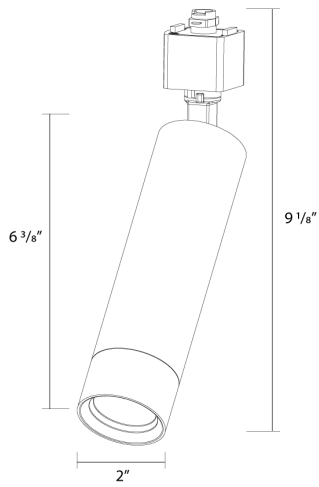
15-55° Adjustable

Other

5-Year Limited Warranty:

The RAB 5-year, limited warranty covers light output, driver performance and paint finish. RAB's warranty is subject to all terms and conditions found at rablighting.com/warranty.

Dimensions



Features

- 100,000-Hour LED lifespan
- TRIAC dimming
- 120V
- Dry location only
- 5-Year, limited warranty

Ordering Matrix

Family	Wattage	Mount	Color Temp	Optics	Finish	Driver
TK22R	Blank = 10/8/6W	Blank = H-Track Mount	Blank = 2700/3000/3500/4000/5000K CCT Adjustable	Blank = 24-60° Adjustable	Blank = White B = Black	Blank = 120V, TRIAC Dimming