



Color: White

Weight: 3.7 lbs

<b>Project:</b>	<b>Type:</b>
<b>Prepared By:</b>	<b>Date:</b>

Driver Info		LED Info	
Type	Constant Current	Watts	30/22/15W
120V	0.26A/0.20A/0.13A	Color Temp	2700K/3000K/3500K/4000K/5000K
208V	0.00A/0.00A/0.00A	Color Accuracy	93-95 CRI
240V	0.00A/0.00A/0.00A	L70 Lifespan	100,000 Hours
277V	0.00A/0.00A/0.00A	Lumens	2339-4127 lm
Input Watts	15.8-30.7W	Efficacy	127.1-155.3 lm/W

**Technical Specifications**

**Field Adjustability**

**Field Adjustable:**

Field Adjustable Light Output:  
30/22/15W (factory default 30W)  
Color Temperature Selectable:  
2700K, 3000K, 3500K, 4000K and 5000K (factory default 4000K)

**Compliance**

**UL Listed:**

Suitable for dry locations

**IP Rating:**

IP20

**LED Characteristics**

**LEDs:**

Long-life, high-efficacy, surface-mount LEDs

**Color Temperature:**

2700/3000/3500/4000/5000K CCT Adjustable

**Electrical**

**Driver:**

Constant Current, Class 1, 120V, 60 Hz, 120V  
30W: 0.28A  
22W: 0.20A  
15W: 0.14A

**Dimming Driver:**

120V TRIAC Dimmers

**Aux Power Supply:**

No

**Dim to Off:**

No

**Surge Protection:**

Ring Wave L-N:2.5 kV, LN-PE 2.5 kV

**Construction**

**Cold Weather Starting:**

The minimum starting temperature is -4°F (-20°C)

**Maximum Ambient Temperature:**

Suitable for use in up to 104°F (40°C)

**Lens:**

Polycarbonate lens

**Housing:**

Aluminum

**Finish:**

Formulated for high durability and long-lasting color

**Performance**

**Lifespan:**

100,000-Hour LED lifespan based on IESlm-80 results and TM-21 calculations

**Installation**

**Mounting:**

H-Track Mount

**Optical**

**Optics:**

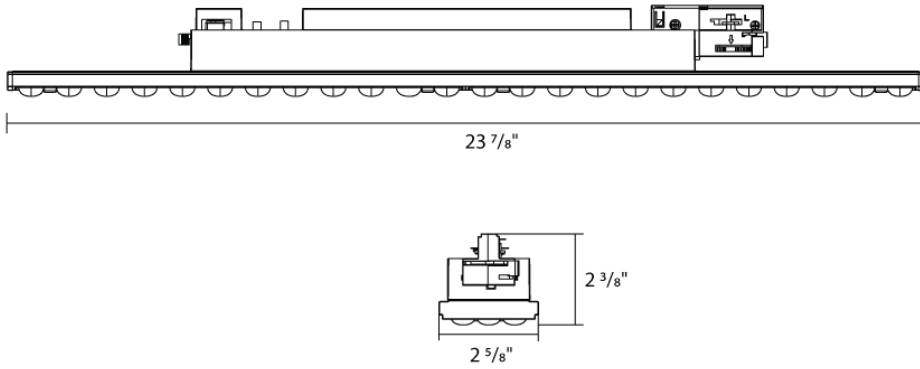
90°

**Other**

**5-Year Limited Warranty:**

The RAB 5-year, limited warranty covers light output, driver performance and paint finish. RAB's warranty is subject to all terms and conditions found at [rablighting.com/warranty](http://rablighting.com/warranty).

Dimensions



Ordering Matrix

Family	Size/Wattage	Mounting	Color Temp	Optics	Finish	Driver
TKBEAM	2					
	2 = 2 ft (30/22/15W) 4 = 4 ft (60/50/40W)	Blank = H-Track Mount	Blank = 2700/3000/3500/4000/5000K	Blank = 90°	Blank = White B = Black	Blank = 120V, TRIAC Dimming