

Project:	Type:
Prepared By:	Date:

Driver Info		LED Info	
Type	Constant Current	Watts	18W
120V	0.15A	Color Temp	3000/3500/4000/5000K
208V	0.09A	Color Accuracy	84 CRI
240V	0.08A	L70 Lifespan	100,000 Hours
277V	0.07A	Lumens	1540-3332 lm
Input Watts	12.5-24.6W	Efficacy	122.2-135.4 lm/W

Technical Specifications

Field Adjustability

Field Adjustable:

Field Adjustable Light Output:
24W/18W/12W (factory default 18W)
Color temperature (selectable by 5000K, 4000K, 3500K and 3000K)

Compliance

UL Listed:

Suitable for damp locations

IESNA LM-79 & LM-80 Testing:

RAB LED luminaires and LED components have been tested by an independent laboratory in accordance with IESNA LM-79 and LM-80.

Trade Agreements Act Compliant:

This product is a product of Cambodia and a "designated country" end product that complies with the Trade Agreements Act

DLC Listed:

This product is on the Design Lights Consortium (DLC) Qualified Products List and is eligible for rebates from DLC Member Utilities. Designed to meet DLC 5.1 requirements.
DLC Product Code: S-241173

Electrical

Driver:

12W: Constant Current, Class 2, 120-277V, 50/60Hz, 120V: 0.10A, 208V: 0.06A, 240V: 0.05A, 277V: 0.05A
18W: Constant Current, Class 2, 120-277V, 50/60Hz, 120V: 0.15A, 208V: 0.09A, 240V: 0.08A, 277V: 0.07A
24W: Constant Current, Class 2, 120-277V, 50/60Hz, 120V: 0.20A, 208V: 0.12A, 240V: 0.10A, 277V: 0.09A

Dimming Driver:

Driver includes dimming control wiring for 0-10V dimming systems. Requires separate 0-10V DC dimming circuit. Dims down to 5%.

THD:

6.1% at 120V, 8.5% at 277V

Power Factor:

99.8% at 120V, 97.5% at 277V

Surge Protection:

1-2kV

Performance

Lifespan:

100,000-Hour LED lifespan based on IES LM-80 results and TM-21 calculations

Wattage Equivalency:

12W: Replaces up to (1) F32T8 or (1) F17T8
18W: Replaces up to (1) F32T8 or (2) F17T8
24W: Replaces up to (1) F32T8 or (3) F17T8

LED Characteristics

LEDs:

Long-life, high-efficiency, surface-mount LEDs

Color Consistency:

4-step MacAdam Ellipse binning to achieve consistent fixture-to-fixture color

Color Uniformity:

RAB's range of Correlated Color Temperature follows the guidelines of the American National Standard for Specifications for the Chromaticity of Solid State Lighting (SSL) Products, ANSI C78.377-2017.

Construction

Cold Weather Starting:

The minimum starting temperature is -20°C (-4°F)

Maximum Ambient Temperature:

Suitable for use in up to 55°C (131°F)

Housing:

Cold Rolled Carbon Steel Sheets and Strip (SPCC)

Technical Specifications (continued)

Lens:
Diffused Polymethyl Methacrylate (PMMA)

Finish:
Formulated for high durability and long-lasting color

Green Technology:
Mercury and UV free. RoHS-compliant components.

Installation

Mounting:
Comes standard with two mounting accessories: aircraft cable for secure, suspended mounts and a stainless bracket for easy mounting to junction boxes. Power cord and canopy cover included.

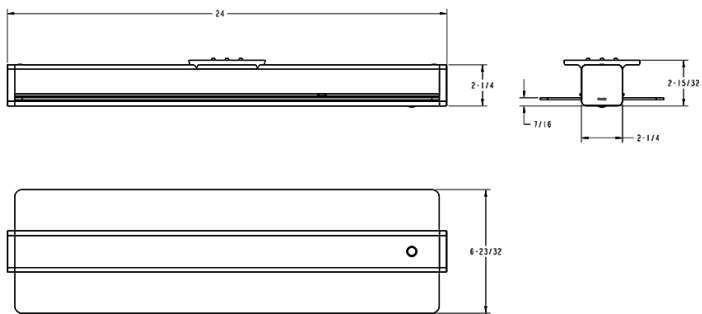
Other

Lighting Pattern:
70% downlight, 30% uplight

Accessories:
Fixture to fixture connector: [TOMO CONNECT](#)

Warranty:
RAB warrants that our LED products will be free from defects in materials and workmanship for a period of five (5) years from the date of delivery to the end user, including coverage of light output, color stability, driver performance and fixture finish. RAB's warranty is subject to all terms and conditions found at rablighting.com/warranty.

Dimensions



Features

- 0-10V dimming
- 100,000-Hour LED lifespan
- 5-Year, No-Compromise Warranty

Ordering Matrix

Family	Length (Wattage)	Color Temp	Finish	Driver	Options
TOMO	-	2			
	4 = 4' (48/36/24W) 8 = 8' (96/72/48W) 2 = 2' (24/18/12W)	Blank = 3000/3500/4000/5000K CCT Adjustable	Blank = White	Blank = 120-277V, 0-10V Dimming	/LCBS/E = Lightcloud Blue w/PIR Sensor and Battery Backup ¹ /LCB/E = Lightcloud Blue-enabled w/Battery Backup ¹ /LCBS = Lightcloud Blue-enabled w/PIR sensor /LCB = Lightcloud Blue-enabled /PIR/E = Passive Infrared Occupancy Sensor w/Battery Backup ¹ /LC/E = Lightcloud w/Battery Backup ¹ /LCS = Lightcloud Sensor /LC = Lightcloud /E = Battery Backup ¹ /PIR = Passive Infrared Occupancy Sensor Blank = No Option

¹ *Available only for 4' and 8'