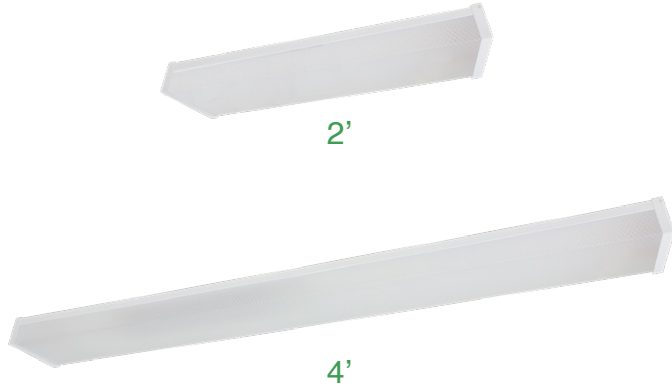


PROJECT NAME: _____ CAT. #: _____
 NOTES: _____ FIXTURE SCHEDULE: _____

UE Linear Utility Wrap - Value Series Wattage and Color Selectable



Product Description:

A cost-effective utility wrap with tremendous flexibility, the UE Series is both wattage and CCT selectable providing 9 options in one SKU and also offers an emergency battery backup option. This durable linear fixture delivers long lasting illumination and critical energy savings in locations where lights are on 24/7, such as stairwells, parking garages and utility areas.

Features:

- CCT and Wattage selectable (9 possible combinations with each fixture)
- 0-10V dimming standard
- CRI: ≥ 80
- Universal voltage 120-277V
- L70 lumen maintenance of 50,000 hours
- Default setting for WCS models is set to lower wattage and 4000K
- UL listed - Suitable for damp locations

Ordering Structure

FAMILY	SIZE	VOLTAGE	WATTAGE SELECT**	CCT SELECT**	BBU OPTION*
UE= Linear Utility Wrap	2= 24'	U= 120-277V	20W= 20W, 25W, 30W	CS= Color Selectable (3500K, 4000K, 5000K)	[BLANK]= None EM= Battery Backup
	4= 48'		23W= 26W, 34W, 46W		

*EM unit is UL924 classified. EM is not possible on the 2ft model.
 * For continuous runs, only first luminaire can have the Emergency Battery back up installed. The test switch would be installed on the end cap.
 **Default setting for WCS models is set to lowest wattage and 4000K.

Stocked Items

ORDER CODE	MODEL NUMBER	DLC PRODUCT ID#	DLC CLASSIFICATION	DLC PRIMARY USE DESIGNATION
111192	UE-2U20WCS	S-XNLPBJ	Standard	Direct Linear Ambient Luminaires
111193	UE-4U23WCS	S-H2BYMZ		Direct Linear Ambient Luminaires
		S-LQNFSH		Low-Bay Luminaires for Commercial and Industrial Buildings
111195	UE-4U23WCSEM	S-H2BYMZ		Direct Linear Ambient Luminaires
		S-LQNFSH		Low-Bay Luminaires for Commercial and Industrial Buildings

Accessories

ORDER CODE	MODEL NUMBER	DESCRIPTION	IMAGE
74138	MLCHKLSU15	Cable Kit 15' Loop X Toggle Y 1 Pair	
105623	BRI823-X-D-L3-WHITE	Line Voltage 120/277V High/Low/Off PIR Drop Nipple External Mount, Occupancy/Daylight Sensor, High Bay Lense 8-40 FT, White Finish	
104799	RMRC-100	Remote Control, Range 50 FT Indoors	



UE Linear Utility Wrap - Value Series

Wattage and Color Selectable

Accessories

c-Max Network			
ORDER CODE	MODEL NUMBER	DESCRIPTION	IMAGE
106904	CNS-PSW	C-Max Network Sensor 120-277V, Bluetooth/ PIR Motion Sensor, Daylight Harvest, White	
109112	WNS1-W	Network Controls (Bluetooth) 1 Button Wall Switch White	
109111	WNS3-W	Network Controls (Bluetooth) 3 Button Wall Switch White	
109498	WNS3U-W	120-277V Network Controls (Bluetooth) 3 Button Wall Switch White	
109499	WNS7U-W	120-277V Network Controls (Bluetooth) 7 Button Wall Switch White	

Specifications

Size	UE-2U20WCS			UE-4U23WCS		
	2'			4'		
Nominal Wattage (W)*	20W	25W	30W	26W	34W	46W
Lumens Delivered (lm)	2800	3500	4200	3800	4800	6200
Nominal Efficacy (lm/W)	130					
Lumens Delivered at BBU mode (lm)**	N/A			1200 - for 90 minutes, when fully charged (Rated Wattage: 30W/38W/50W)		
Color Temperature (K)*	3500K, 4000K, 5000K					
CRI	≥ 80					
Calculated L70 Lumen Maintenance	≥ 50,000 hours					
Dimming Technology	0-10V					
Dimming Range	10-100%					
Input Voltage	120-277V AC, 50/60Hz					
Power Factor	≥ 0.9					
Housing	Cold Rolled Iron					
Diffuser	PMMA Prismatic Lens					
Product Weight	2.7 lb			4.7 lb, EM mode: 5.5 lb		
Humidity	10-85% RH, non-condensing					
Operating Temperature	-4°F to 104°F (-20°C to 40°C)			-4°F to 104°F (-20°C to 40°C), except for EM models. EM models: 50°F to 104°F (10°C to 40°C)*		
Certifications	cULus listed, FCC, Rohs Compliant					
Qualifications	DLC Standard					
Environment	Suitable for damp locations					
Warranty	5 Years warranty. Check maxlite.com/warranties for details.					

* Fixtures are set to lowest wattage and 4000K as default factory setting

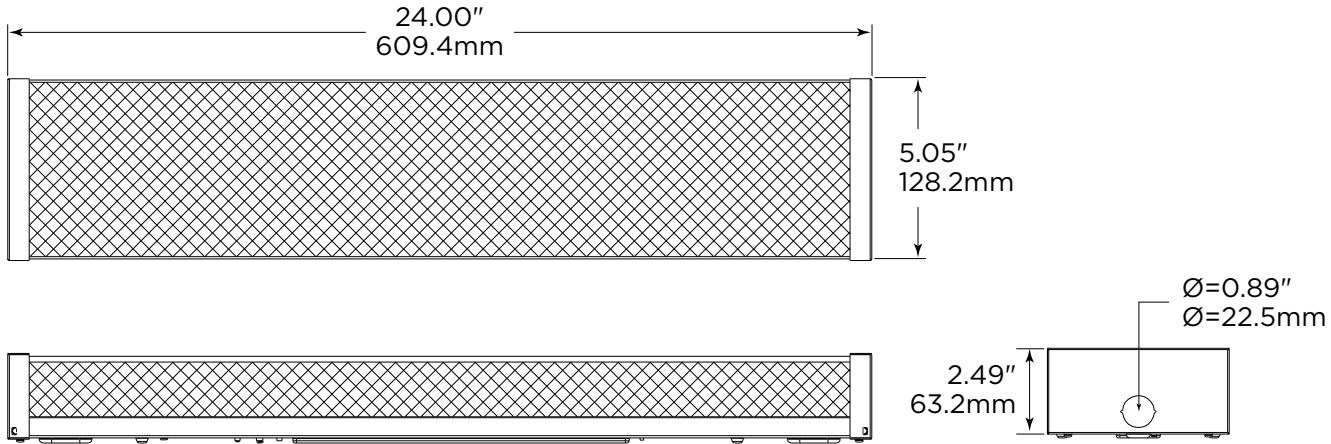
** Lumens delivered at BBU mode varies based on wattage and CCT setting

For continuous runs, only first luminaire can have the Emergency Battery back up installed. The test switch would be installed on the end cap

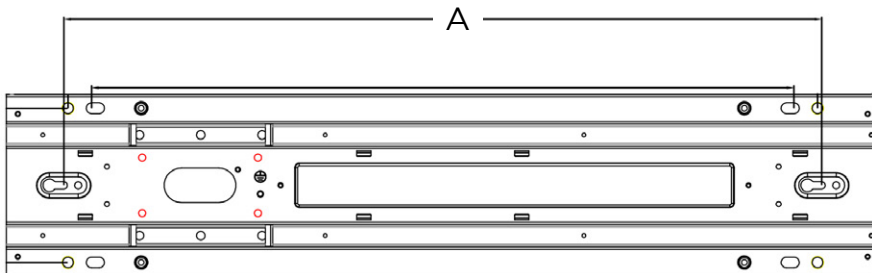
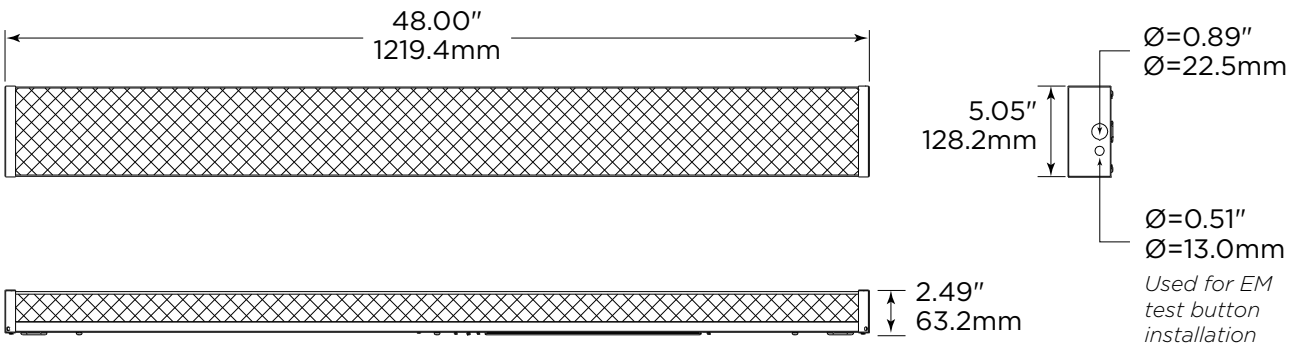
UE Linear Utility Wrap - Value Series *Wattage and Color Selectable*

Dimensions

UE-2U20WCS



UE-4U23WCS



PRODUCT	A
UE-2U20WCS	20.8" 528mm
UE-4U23WCS	44.8" 1138mm

FCC Statement

This device complies with part 15 of the FCC Rules, Operation is subject to the following two conditions: (1) This device may not cause harmful interference, and (2) this device must accept any interference received, including interference that may cause undesired operation.