

LEDVANCE Luminaires

UFO 4A HIGH BAY

VALUE CLASS

Application

An environmentally preferable alternative to traditional luminaires and offering up to 82% energy savings, the VALUE CLASS UFO 4A High Bay is ideal for illuminating warehouses, gymnasiums, and other industrial application.

Benefits and Features

- Lightweight fixture is designed for easy and safe installation
- NSF Splash Zone rated
- Multiple mounting options for a variety of applications – pendant, hook, surface mount
- All fixtures ship with a sensor base and are ready to accept optional, field installable, screw-in motion/daylight sensors with no wiring required – sensor installs in seconds
- Mounting hook included
- 90° polycarbonate front lens minimizes glare
- Variety of optics – polycarbonate refractor and aluminum reflector available
- IP65 rated aluminum body (finish is white or black)
- Up to 170 LPW (200W HE)
- 4000K and 5000K color temperatures
- CRI >80
- Offered in 100, 150, 200 watts and 200W HE (High Efficiency)
- Optional field installable 40W EMBB is available
- Compatible with field installable LEDVANCE LINK™ components

Electrical

- 120-347 (UNH) VAc
- Power Factor >80%
- THD <20%
- Dimmable (0-10V) dimming down to 10%
- 6kV Surge protection

Rated Life

- 150,000 hours (L₇₀)

Warranty

- 5-year
- NLB Trusted Warranty Program

Certifications and Listings

- cULus
- RoHS
- FCC
- NSF
- NEMA 4X
- DLC 5.1 Premium



Wattage Comparison

Traditional Source	Traditional System Wattage	LED System Wattage	Energy Savings
250W MH	290	100	66%
250W HPS	295	100	66%
320W MH	370	150	59%
400W HPS	460	150	67%
400W MH	450	150	67%
750W MH	820	200	76%
750W HPS	840	200	76%
1000W MH	1080	200W HE	81%
1000W HPS	1100	200W HE	82%

Ambient Operating Range

- -40°F to +122°F (-40°C to +50°C)

Installation

- Luminaire can be hung via included hook or can be surface or pendant mounted using optional mounting brackets.
- Includes 6' power cable and 3' dimming cable.
- Aluminum reflector, polycarbonate refractor, and polycarbonate bottoms lens are available.
- Polycarbonate refractor and polycarbonate bottom lens have an IK08 rating.
- Optional wire guards are available
- Field installed sensors: Unscrew plug in the center of the lens to screw in the optional motion/daylight sensor by hand – no wiring required



LEDLUM182R5 7-24

Catalog #	Type
Project	
Comments	
Prepared by	

Ordering Guide

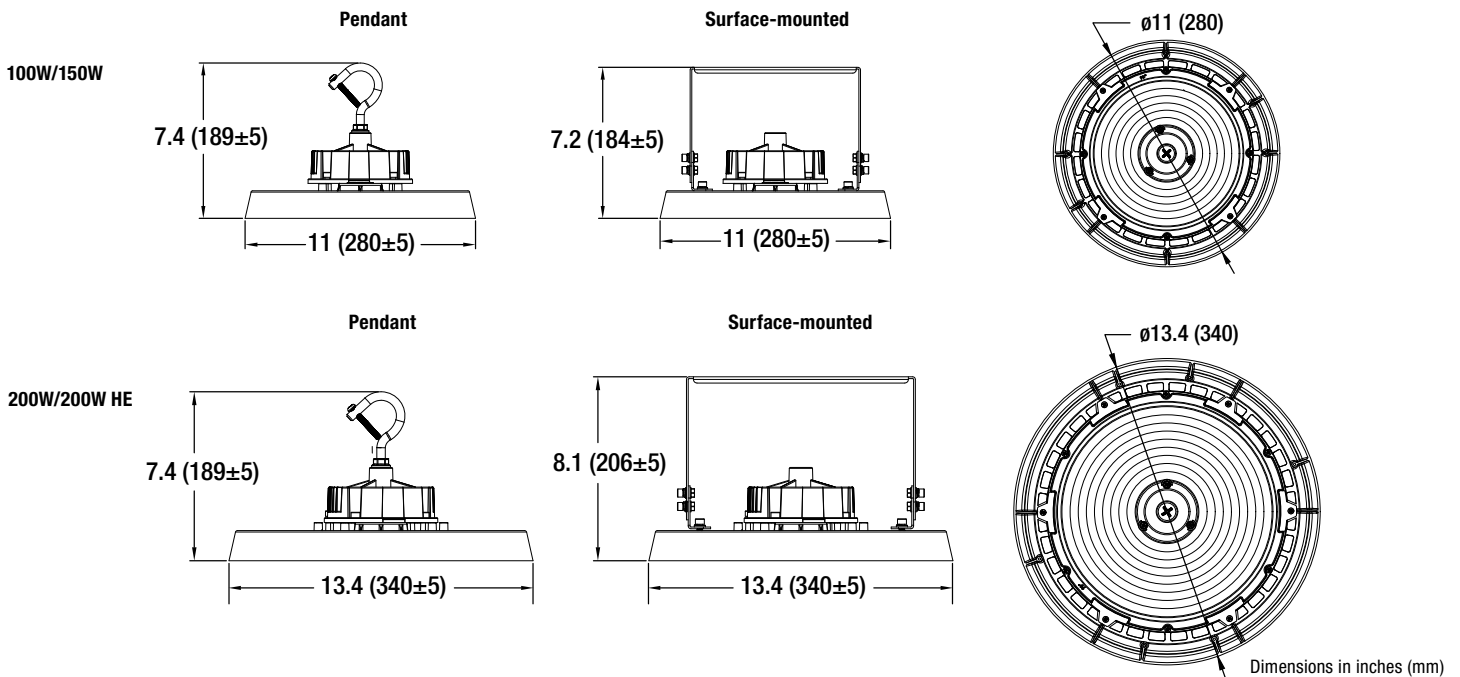
UFOHIBA	4A	/	XXX	UNH	D	8	XX	/	XX	XXX
Product Name	Generation		Wattage	Voltage	Dimming	CRI	Color Temp		Color/Finish	Options
UFOHIBA = UFO	4A = Generation 4A		100 = 100W	UNH = 120-347	D = 0-10V	8 = >80	40 = 4000K		WH = White	L7P = 277V Plug
High Bay			150= 150W				50 = 5000K		BL = Black	
			200= 200W							
			200HE= 200W							
			High Efficiency							

Ordering Information

Item Number	Ordering Abbreviation	Power (W)	Input Voltage (V)	Dimming	CRI	Color Temp	Total Fixture Lumens (lm)	LPW	DLC	Options
63034	UFOHIBA4A/100UNHD840/WH	100	120-347	0-10V	>80	4000K	14,000	140	5.1 Prm	-
63035	UFOHIBA4A/100UNHD850/WH	100	120-347	0-10V	>80	5000K	14,300	143	5.1 Prm	-
63036	UFOHIBA4A/150UNHD840/WH	150	120-347	0-10V	>80	4000K	21,000	140	5.1 Prm	-
63037	UFOHIBA4A/150UNHD850/WH	150	120-347	0-10V	>80	5000K	21,400	143	5.1 Prm	-
63038	UFOHIBA4A/200UNHD840/WH	200	120-347	0-10V	>80	4000K	28,000	140	5.1 Prm	-
63039	UFOHIBA4A/200UNHD850/WH	200	120-347	0-10V	>80	5000K	28,600	143	5.1 Prm	-
63040	UFOHIBA4A/200HEUNHD840/WH	200	120-347	0-10V	>80	4000K	33,600	168	5.1 Prm	-
63041	UFOHIBA4A/200HEUNHD850/WH	200	120-347	0-10V	>80	5000K	34,000	170	5.1 Prm	-
63042	UFOHIBA4A/100UNHD840/BL	100	120-347	0-10V	>80	4000K	14,000	140	5.1 Prm	-
63043	UFOHIBA4A/100UNHD850/BL	100	120-347	0-10V	>80	5000K	14,300	143	5.1 Prm	-
63044	UFOHIBA4A/150UNHD840/BL	150	120-347	0-10V	>80	4000K	21,000	140	5.1 Prm	-
63045	UFOHIBA4A/150UNHD850/BL	150	120-347	0-10V	>80	5000K	21,400	143	5.1 Prm	-
63046	UFOHIBA4A/200UNHD840/BL	200	120-347	0-10V	>80	4000K	28,000	140	5.1 Prm	-
63047	UFOHIBA4A/200UNHD850/BL	200	120-347	0-10V	>80	5000K	28,600	143	5.1 Prm	-
63048	UFOHIBA4A/200HEUNHD840/BL	200	120-347	0-10V	>80	4000K	33,600	168	5.1 Prm	-
63049	UFOHIBA4A/200HEUNHD850/BL	200	120-347	0-10V	>80	5000K	34,000	170	5.1 Prm	-
65958	UFOHIBA4A100UNHD840BLL7P	100	120-347	0-10V	>80	4000K	14,000	140	5.1 Prm	277V Plug
65959	UFOHIBA4A100UNHD850BLL7P	100	120-347	0-10V	>80	5000K	14,300	143	5.1 Prm	277V plug
65960	UFOHIBA4A150UNHD840BLL7P	150	120-347	0-10V	>80	4000K	21,000	140	5.1 Prm	277V plug
65961	UFOHIBA4A150UNHD850BLL7P	150	120-347	0-10V	>80	5000K	21,400	143	5.1 Prm	277V plug
65962	UFOHIBA4A200UNHD840BLL7P	200	120-347	0-10V	>80	4000K	28,000	140	5.1 Prm	277V plug
65963	UFOHIBA4A200UNHD850BLL7P	200	120-347	0-10V	>80	5000K	28,600	143	5.1 Prm	277V plug
65964	UFOHIBA4A200HEUNHD840BLL7P	200	120-347	0-10V	>80	4000K	33,600	168	5.1 Prm	277V plug
65965	UFOHIBA4A200HEUNHD850BLL7P	200	120-347	0-10V	>80	5000K	34,000	170	5.1 Prm	277V plug
65966	UFOHIBA4A100UNHD840WHL7P	100	120-347	0-10V	>80	4000K	14,000	140	5.1 Prm	277V plug
65967	UFOHIBA4A100UNHD850WHL7P	100	120-347	0-10V	>80	5000K	14,300	143	5.1 Prm	277V plug
65968	UFOHIBA4A150UNHD840WHL7P	150	120-347	0-10V	>80	4000K	21,000	140	5.1 Prm	277V plug
65969	UFOHIBA4A150UNHD850WHL7P	150	120-347	0-10V	>80	5000K	21,400	143	5.1 Prm	277V plug
65970	UFOHIBA4A200UNHD840WHL7P	200	120-347	0-10V	>80	4000K	28,000	140	5.1 Prm	277V plug
65971	UFOHIBA4A200UNHD850WHL7P	200	120-347	0-10V	>80	5000K	28,600	143	5.1 Prm	277V plug
65972	UFOHIBA4A200HEUNHD840WHL7P	200	120-347	0-10V	>80	4000K	33,600	168	5.1 Prm	277V plug
65973	UFOHIBA4A200HEUNHD850WHL7P	200	120-347	0-10V	>80	5000K	34,000	170	5.1 Prm	277V plug

Physical Information

Luminaire Description	Diameter in (mm)	Height (Pendant Mount) in (mm)	Height (Surface Mount) in (mm)
100W/150W	11 (280±5)	7.4 (189 ±5)	7.2 (184±5)
200W/200W HE	13.4 (340±5)	7.4 (189 ±5)	8.1 (206±5)

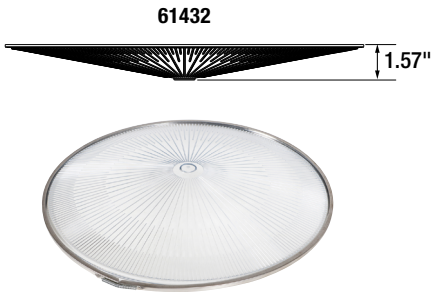
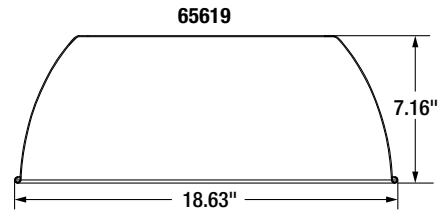
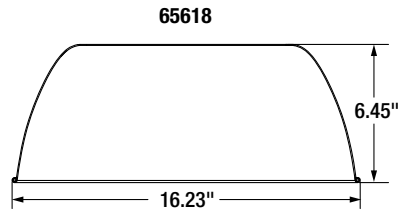
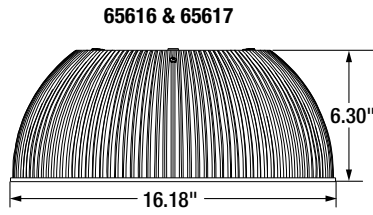


Accessories

Item Number	Ordering Abbreviation	Item Description
65613	UFOHIBA2A/SURFPENDMNT1/WH	White Surface/Pendant Mount Bracket for 100-150W products
65614	UFOHIBA2A/SURFPENDMNT2/WH	White Surface/Pendant Mount Bracket for 200-200W HE products
65702	UFOHIBA2A/SURFPENDMNT1/BL	Black Surface/Pendant Mount Bracket for 100-150W products
65703	UFOHIBA2A/SURFPENDMNT2/BL	Black Surface/Pendant Mount Bracket for 200-200W HE products
65620	UFOHIBA2A/WG1/WH	Wire guard for 100-150W products
65621	UFOHIBA2A/WG2/WH	Wire guard for 200-200W HE products
65622	HIGHBAY/MOTIONDAYSENSOR	Field installable Microwave DC Motion/Daylight Sensor, IP65, Max. mounting height 49 ft
62664	HIGHBAY/PIR/MOTIONDAYSENSOR2	Field installable PIR DC Motion/Daylight Sensor, IP65, Max. mounting height 39 ft
65623*	REMOTE/MOTIONDAY/001	Remote control for Motion/Daylight Sensor – Remote is Required to change default settings
65616	UFOHIBA2A/PC1/90	Polycarbonate Refractor for 100-150W products, 90° distribution
65617	UFOHIBA2A/PC2/90	Polycarbonate Refractor for 200-200W HE products, 90° distribution
61432	UFOHIBA1A/BOTTOMLENS	Polycarbonate bottom lens for use with 65616 or 65617
65618	UFOHIBA2A/AL1/90	Aluminum Reflector for 100-150W products, 90° distribution
65619	UFOHIBA2A/AL2/90	Aluminum Reflector for 200-200W HE products, 90° distribution
61062	EMBB/UFO/40WDC	Field installable 40W emergency battery back-up unit, with integral junction box, providing 5600-6800 lumens (based on LPW) of light output for 90 minutes in case of power failure. All units ship with a remote control facilitating the testing of the units.
63882	UFO/JUNCTIONBOX/GRAY	UFO Junction Box, Gray

*Required to change default settings.

Accessories (continued)



See page 5 for optional LEDVANCE LINK™ Accessories

Optional Motion/Daylight Sensor Default Settings*

Detection area	100%
Hold time – Time fixture stays at 100% after last motion before dimming	10 Minutes
Daylight threshold – light level above which light will remain off	50 Lux
Stand-by period – Time light remains dimmed before shutting off	60 Minutes
Stand-by dimming – Dimming level of light during stand-by period	30%

*The default settings can only be changed using the optional remote 65623.

Optional LEDVANCE LINK™ Accessories

Field Installable components compatible with UFO 4A HIGH BAY



Benefits and Features

- The LEDVANCE LINK™ Bluetooth® Mesh Low Voltage components use Bluetooth® technology for easy and secure wireless communication
- Enables regular LEDVANCE luminaires to become Bluetooth® enabled and allows for luminaires to be turned on/off and dimmed (manual or auto)
- The LEDVANCE LINK™ Controller (62630) and Sensor (62634) require the simple adapter (63652) to screw into the UFO 4A HIGH BAY
- Components can be used up to 40ft height
- Control using either the LEDVANCE LINK™ app or the wireless wall controller

Ordering Information

Item Number	Ordering Abbreviation	Description
63652	SENSORADAPTOR1A	Sensor adapter for integration of LEDVANCE LINK™ 3.5mm components to 3-pin sensor sockets
62630*	ADAPTER/AUX12V/BLE	Bluetooth® Mesh low voltage controller – BLE enables fixture
62634*	SENSORHB/PIRAUX12V/BLE	Bluetooth® Mesh low voltage sensor & controller Bluetooth® – BLE enabled daylight/motion sensor
62636	WALLSWITCH5KEYBLE	Bluetooth® Mesh Low Voltage 5 Button Controller

*Requires BLE adaptor 63652



Click or scan QR code for more information on LEDVANCE LINK™



COMMISSIONING GUIDE

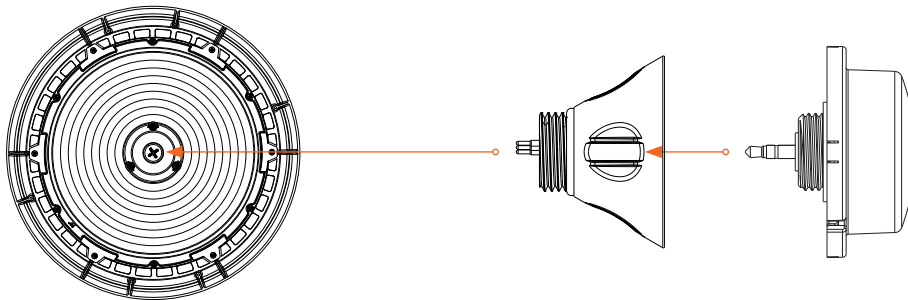


62630



62634

Physical Information



LEDVANCE LLC
 181 Ballardvale Street, Suite 203
 Wilmington, MA 01887 USA
 Phone 1-800-LIGHTBULB (1-800-544-4828)
 www.ledvanceUS.com

LEDVANCE is a registered trademark. The Bluetooth® word mark and logos are registered trademarks owned by the Bluetooth SIG, Inc. and any use of such marks by LEDVANCE LLC is under license. All other trademarks are those of their respective owners. Specifications subject to change without notice.



SCAN TO FOLLOW US ON SOCIAL MEDIA

