

UHXMAX SERIES INDUSTRIAL LIGHTING

WESTGATE
THE FUTURE IS HERE...AND IT'S QUITE BRIGHT!

UHXMAX-120-200W-MCTPB-SR

MAX-FEATURE UFO-POWER & CCT&BEAM ADJUSTABLE SENSOR READY

MCTP Multi Color Temperature & Multi Power/Wattage (Selectable)

Customer Name: _____

Project Name: _____

Note: _____

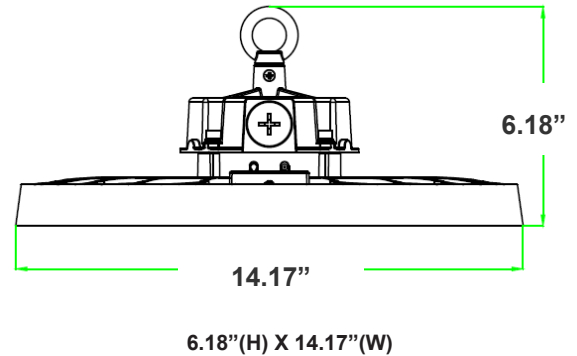
Type: _____



Avail. Finishes:



In a aluminium shell designed for heat dissipation, UHX is IP65 water resistant rated and ideal for general site lighting, alleys, loading docks, doorways, pathways, parking areas, warehouses and storage buildings.



Features

- Waterproof design, suitable for wet locations
- ADC12 Aluminum Heat Sink, Outdoor Powder Coating Finish
- Optical Lens: PC Materials High Light Transmittance, Anti-UV, Fire-Resistant
- Multi Color Temperature & Multi Power (Selectable Switch Located On The Driver Housing)

Technical Specifications

Electrical:

- Input Wattage: 120W/160W/200W
- Input Voltage: 120-277V 50/60Hz
- Power Factor: >0.9
- THD: <20%
- Efficacy: 140 LPW

Mechanical:

- ADC12 Aluminum Heat Sink, Outdoor Powder Coating Finish
- Sensor-Ready: Single Audio-Jack Socket Pre-Installed. See Motion Sensor Accessories
- Optical Lens: PC Materials High Light Transmittance, Anti-UV, Fire-Resistant
- 6' SJTW 18,3 AWG Power Cable
- 6' SJTW Dimming Cable
- LED PCB Board: High Conductive, Waterproof, Aging Resistance, salt mist Resistance, Ensure the Safety and Long Lifespan
- Operating temperature: -40°F to 122°F
- IP rating: IP65, Wet Locations
- 5-Year Warranty

Lighting:

- Dimming: 0~10V
- Total Lumens: 28000LM
- Multi Color Temperature & Multi Power (Selectable Switch Located On The Driver Housing)
- Color Temperatures: 3500K/4000K/5000K
- Color Rendering index: > 80
- Adjustable Beam Angle: 60°/80°/100°
- Lifespan: 50,000 Hrs

Applications:

- Ideal for general site lighting, alleys, loading docks, doorway, pathway, parking areas, warehouses and storage buildings.

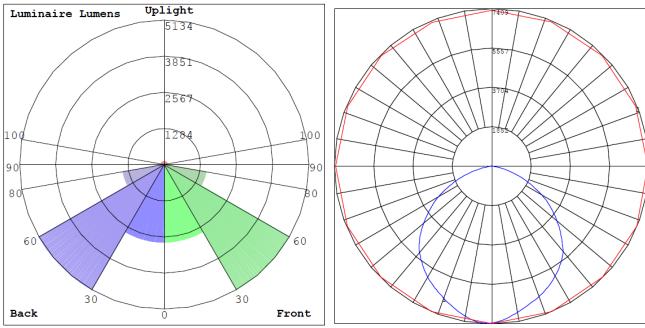


Phone: (877) 805-2252 | Fax: (877) 805-2252
www.westgatemfg.com |

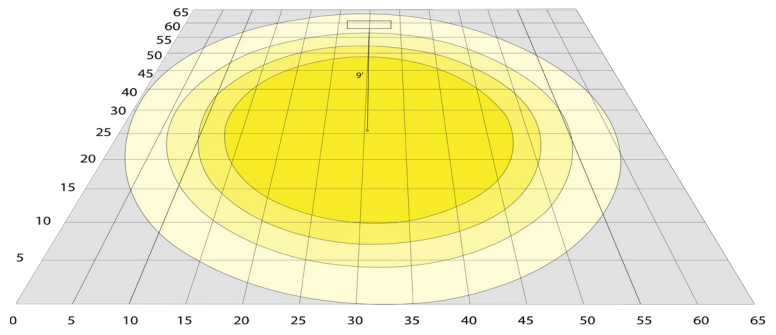


WG-12202024

Photometrics: UHXMAX-120-200W-MCTPB-SR-WH



BUG Rating: B4-U3-G1



Area 65'x 65' Mounting Height: 9'

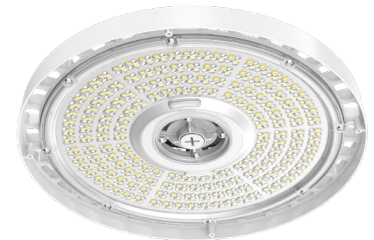
Other Views:



Side View



Top View



Bottom View

Performance Table: UHXMAX-120-200W-MCTPB-SR-WH

MODEL NO.	Wattage	Voltage	Lumens	Color Temp	BUG Rating	LPW
UHXMAX-120-200W-MCTPB-SR-WH	120W	120-277V	16800LM	3500K	B4-U3-G1	140
	160W		22400LM	4000K		
	200W		28000LM	5000K		

Sample Ordering

Model Wattage Wattage Color Temp. Sensor Finish

UHXMAX - 120 - 200W - MCTPB - SR - WH

Accessories:

Blank = No Accessory
 UHXMAX-SMB-B = UHXMAX 120-200W Surface-Mounting Bracket Black
 UHXMAX-PCR-B-90D = UHXMAX 120-200W 90D Pc Reflector
 UHXMAX-PCC-B = UHXMAX 120-200W Reflector Bottom Pc Cover
 UHXMAX-ALR-B-90D = UHXMAX 120-200W 90D Aluminum Reflector
 UHXMAX-WG-B = UHXMAX 120-200W Wireguard
 WEC-3RC = Remote control
 WEC-3PR-78-AJ-WH = PIR Sensor 1-Pin Audio Jack Contact 600W 40ft 120-277V 0-10V Bi-Level & RC (Optional RC WEC-3RC)
 WEC-3PBT-78-AJ-WH = PIR Sensor 1-Pin Audio Jack Contact 600W 40ft 120-277V 0-10V Bi-Level Bluetooth App Ready

Factory-Installed Option:

Blank = No Accessory
 OPT-EM-UHX = EXTERNAL EMERGENCY BACKUP BATTERY INSTALLED ON TOP OF THE FIXTURE
 OPT-HBC=125TL-WH = NEMA TWIST-LOCK PLUG 8FT, 15A, 125V, 16/3TL, WHITE
 OPT-HBC=277TL-WH = NEMA TWIST-LOCK PLUG 8FT, 15A, 277V, 16/3TL, WHITE
 OPT-HBC=125SB-WH = STRAIGHT BLADE PLUG 10FT, 15A, 125V, 18/3TL, WHITE
 OPT-SEN-UHX = MICROWAVE BI-LEVEL SENSOR

ACCESSORIES:



WEC-3RC



WEC-3PR-78-AJ-WH
 WEC-3PBT-78-AJ-WH



ACCESSORIES:



UHXMAX-SMB-B
UHXMAX 120-200W Surface-Mounting Bracket Black



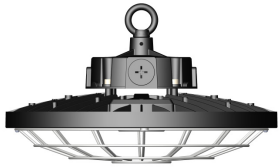
UHXMAX-PCR-B-90D
UHKMAX 120-200W 900 Pc Reflector



UHXMAX-PCC-B
UHXMAX 120-200W Reflector Bottom Pc Cover



UHXMAX-ALR-B-90D
UHKMAX 120-200W 900 Aluminum Reflector



UHXMAX-WG-B
UHKMAX 120-200W Wireguard

FACTORY-INSTALLED OPTION:



OPT-HBC-125SB-WH
STRAIGHT BLADE PLUG 10FT, 15A, 125V, 18/3TL, WHT



OPT-HBC-125TL-WH
NEMA TWIST-LOCK PLUG 8FT, 15A, 125V, 16/3TL, WHT



OPT-HBC-277TL-WH
NEMA TWIST-LOCK PLUG 8FT, 15A, 277V, 16/3TL, WHT



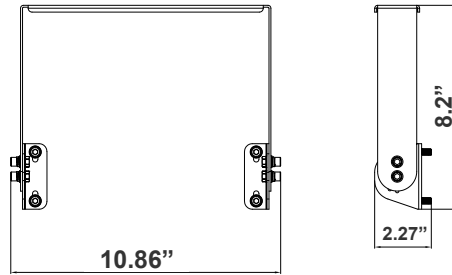
OPT-EM-UHX
EXTERNAL EMERGENCY BACKUP BATTERY INSTALLED ON TOP OF THE FIXTURE (The bracket can be painted)



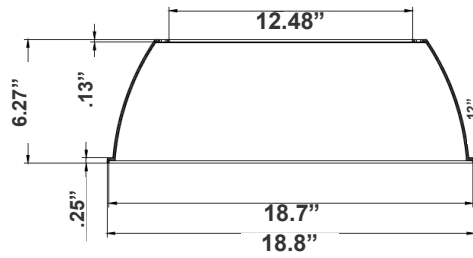
Dimensions:



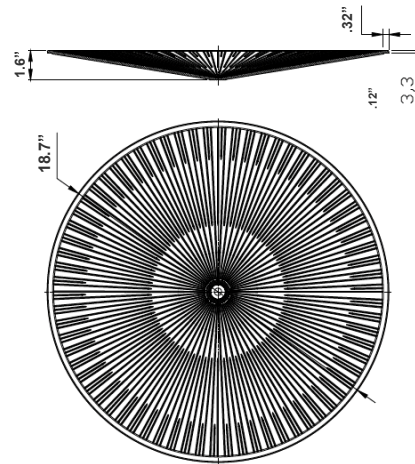
UHXMAX-SMB-B
UHXMAX 120-200W Surface-
Mounting Bracket Black



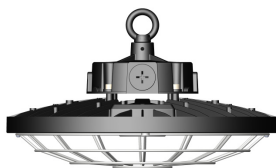
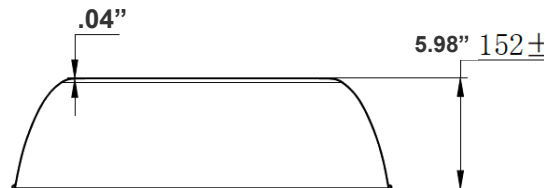
UHXMAX-PCR-B-90D
UHXMAX 120-200W 90° Pc
Reflector



UHXMAX-PCC-B
UHXMAX 120-200W Reflector
Bottom Pc Cover



UHXMAX-ALR-B-90D
UHXMAX 120-200W 90° Alumi-
num Reflector



UHXMAX-WG-B
UHXMAX 120-200W Wireguard

