

# UHXMAX SERIES INDUSTRIAL LIGHTING

**WESTGATE**  
THE FUTURE IS HERE...AND IT'S QUITE BRIGHT!

## UHXMAX-70-150W-MCTPB-SR-WH

MAX-FEATURE UFO-POWER & CCT&BEAM ADJUSTABLE SENSOR READY

**MCTP** Multi Color Temperature & Multi Power/Wattage (Selectable)

Customer Name: \_\_\_\_\_

Project Name: \_\_\_\_\_

Note: \_\_\_\_\_

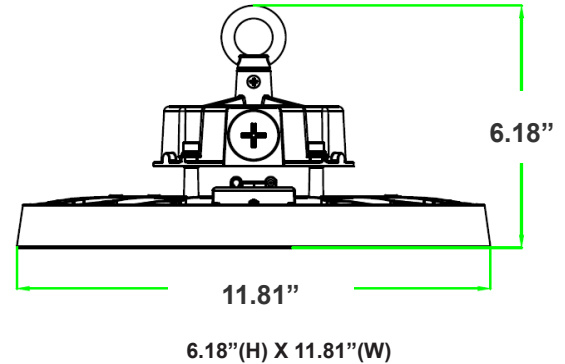
Type: \_\_\_\_\_



Avail. Finishes:



In a aluminium shell designed for heat dissipation, UHX is IP65 water resistant rated and ideal for general site lighting, alleys, loading docks, doorways, pathways, parking areas, warehouses and storage buildings.



## Features

- Waterproof design, suitable for wet locations
- ADC12 Aluminum Heat Sink, Outdoor Powder Coating Finish
- Optical Lens: PC Materials High Light Transmittance, Anti-UV, Fire-Resistant
- Multi Color Temperature & Multi Power (Selectable Switch Located On The Driver Housing)

## Technical Specifications

### Electrical:

- Input Wattage: 70W/110W/150W
- Input Voltage: 120-277V 50/60Hz
- Power Factor: >0.9
- THD: <20%
- Efficacy: 140 LPW

### Mechanical:

- ADC12 Aluminum Heat Sink, Outdoor Powder Coating Finish
- Sensor-Ready: Single Audio-Jack Socket Pre-Installed. See Motion Sensor Accessories
- Optical Lens: PC Materials High Light Transmittance, Anti-UV, Fire-Resistant
- 6' SJTW 18,3 AWG Power Cable
- 6' SJTW Dimming Cable
- LED PCB Board: High Conductive, Waterproof, Aging Resistance, salt mist Resistance, Ensure the Safety and Long Lifespan
- Operating temperature: -40°F to 122°F
- IP rating: IP65, Wet Locations
- 5-Year Warranty

### Lighting:

- Dimming: 0~10V
- Total Lumens: 21000LM
- Multi Color Temperature & Multi Power (Selectable Switch Located On The Driver Housing)
- Color Temperatures: 3500K/4000K/5000K
- Color Rendering index: > 80
- Adjustable Beam Angle: 60°/80°/100°
- Lifespan: 50,000 Hrs

### Applications:

- Ideal for general site lighting, alleys, loading docks, doorway, pathway, parking areas, warehouses and storage buildings.

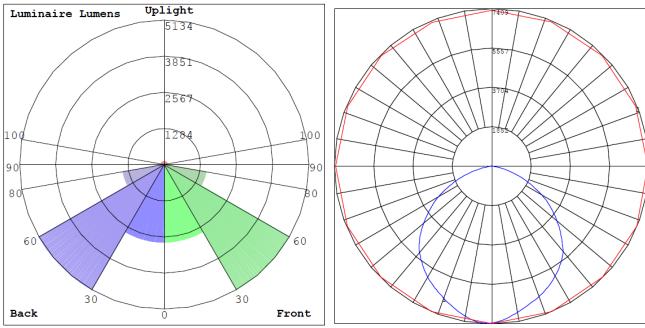


Phone: (877) 805-2252 | Fax: (877) 805-2252  
www.westgatemfg.com |

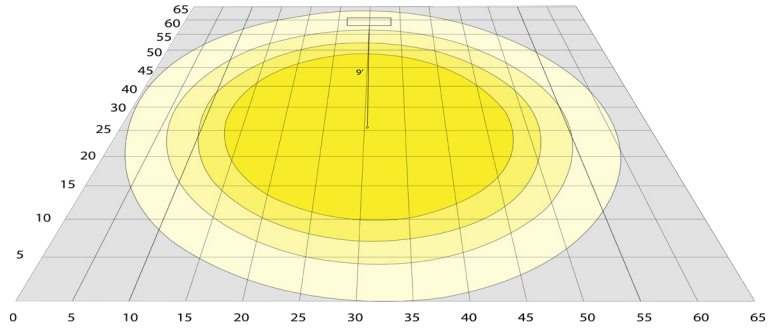


WG-12202024

## Photometrics: UHXMAX-70-150W-MCTPB-SR-WH



BUG Rating: B4-U3-G1



Area 65'x 65' Mounting Height: 9'

## Other Views:



Side View



Top View



Bottom View

## Performance Table: UHXMAX-70-150W-MCTPB-SR-WH

MODEL NO.	Wattage	Voltage	Lumens	Color Temp	BUG Rating	LPW
UHXMAX-70-150W-MCTPB-SR-WH	70W 110W 150W	120-277V	9800LM 15400LM 21000LM	3500K 4000K 5000K	B4-U3-G1	140

## Sample Ordering

Model Wattage Wattage Color Temp. Sensor Finish

UHXMAX - 70 - 150W - MCTPB - SR - WH

## Accessories:

Blank = No Accessory  
 UHXMAX-SMB-A = UHXMAX 70-150W & 300-500W Surface-Mounting Bracket Black  
 UHXMAX-PCR-A-90D = UHXMAX 70-150W 900 Pc Reflector  
 UHXMAX-PCC-A = UHXMAX 70-150W/ Reflector Bottom Pc Cover  
 UHXMAX-ALR-A-90D = UHXMAX 70-150W 900 Aluminum Reflector  
 UHXMAX-WG-A = UHXMAX 70-150W Wireguard  
 WEC-3RC = Remote control  
 WEC-3PR-78-AJ-WH = PIR Sensor 1-Pin Audio Jack Contact 600W 40ft 120-277V 0-10V Bi-Level & RC (Optional RC WEC-3RC)  
 WEC-3PBT-78-AJ-WH = PIR Sensor 1-Pin Audio Jack Contact 600W 40ft 120-277V 0-10V Bi-Level Bluetooth App Ready

## Factory-Installed Option:

Blank = No Accessory  
 OPT-EM-UHX = EXTERNAL EMERGENCY BACKUP BATTERY INSTALLED ON TOP OF THE FIXTURE  
 OPT-HBC=125TL-WH = NEMA TWIST-LOCK PLUG 8FT, 15A, 125V, 16/3TL, WHITE  
 OPT-HBC=277TL-WH = NEMA TWIST-LOCK PLUG 8FT, 15A, 277V, 16/3TL, WHITE  
 OPT-HBC=125SB-WH = STRAIGHT BLADE PLUG 10FT, 15A, 125V, 18/3TL, WHITE  
 OPT-SEN-UHX = MICROWAVE BI-LEVEL SENSOR

## ACCESSORIES:



WEC-3RC



WEC-3PR-78-AJ-WH  
WEC-3PBT-78-AJ-WH



## ACCESSORIES:



**UHXMAX-SMB-A**  
UHXMAX 70-150W & 300-500W  
Surface-Mounting Bracket Black



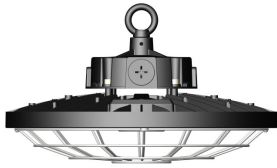
**UHXMAX-PCR-A-90D**  
UHKMAX 70-150W 900 Pc Reflector



**UHXMAX-PCC-A**  
UHXMAX 70-150W/ Reflector  
Bottom Pc Cover



**UHXMAX-ALR-A-90D**  
UHKMAX 70-150W 900 Aluminum  
Reflector



**UHXMAX-WG-A**  
UHKMAX 70-150W Wireguard

## FACTORY-INSTALLED OPTION:



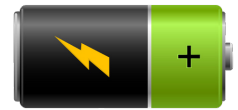
**OPT-HBC-125SB-WH**  
STRAIGHT BLADE PLUG 10FT, 15A,  
125V, 18/3TL, WHT



**OPT-HBC-125TL-WH**  
NEMA TWIST-LOCK PLUG 8FT, 15A,  
125V, 16/3TL, WHT



**OPT-HBC-277TL-WH**  
NEMA TWIST-LOCK PLUG 8FT, 15A,  
277V, 16/3TL, WHT



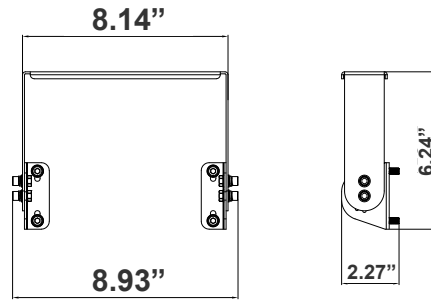
**OPT-EM-UHX**  
EXTERNAL EMERGENCY  
BACKUP BATTERY INSTALLED  
ON TOP OF THE FIXTURE  
(The bracket can be painted)



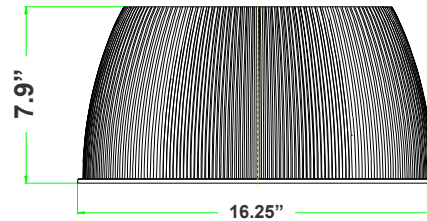
# Dimensions:



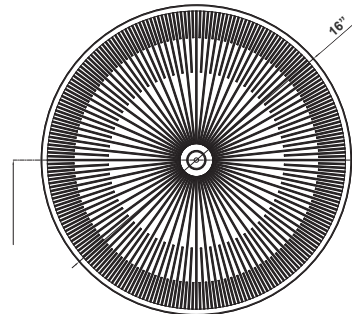
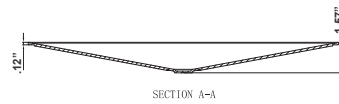
**UHXMAX-SMB-A**  
UHXMAX 70-150W & 300-500W  
Surface-Mounting Bracket Black



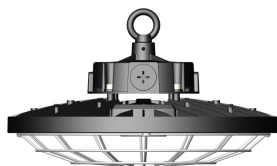
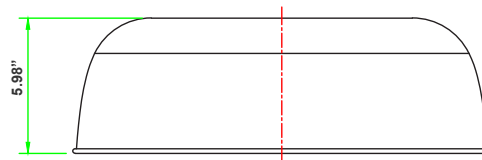
**UHXMAX-PCR-A-90D**  
UHXMAX 70-150W 900 Pc Reflector



**UHXMAX-PCC-A**  
UHXMAX 70-150W/ Reflector  
Bottom Pc Cover



**UHXMAX-ALR-A-90D**  
UHXMAX 70-150W 900 Aluminum  
Reflector



**UHXMAX-WG-A**  
UHXMAX 70-150W Wireguard

