

ULTRA LED™ HO PAR Lamps

ULTRA LED HO PAR lamps deliver exceptionally high lumen output along with outstanding color uniformity and beam quality utilizing COB technology. Offered in a smooth heat sink, these lamps are available in a 15° spot, 25° narrow flood and 40° flood with the option of 120 or universal (120-277) voltage. The high CBCP performance makes these lamps a great replacement for high power halogen and HID lamps.

Key Features & Benefits

- Sleek, lightweight design
- Up to 100 LPW
- Long life: up to 25,000 hours (L₇₀)
- 15°, 25° and 40° beam option
- 120 or universal (120-277) voltage options
- Outstanding color uniformity and beam quality utilizing COB technology
- 277V option allows compatible replacement for HID lamps
- UL1993 & UL1598C tested
- PAR20 – UL Damp rated
- PAR30/PAR38 – UL Wet rated
- High CBCP performance
- Great replacement options for high power halogen and HID lamp



Application Information

Market Segments

- Grocery
- Houses of worship
- Manufacturing
- Retail
- Warehouse/storage

Applications

- Downlights
- General lighting
- Spotlights

Application Notes

1. Operating temperature -4°F to 104°F (-20°C to 40°C).
2. Use in fixtures that support a half pound lamp.
3. Not for use with emergency light fixtures or exit lights.
4. Suitable for wet locations (PAR30LN and PAR38).

Product Offering

Ordering Abbreviation	Wattage	Beam Angle	Color Temperature
LED PAR20	11	25°	3000K
LED PAR30LN	18, 19	15°	3000K
LED PAR38	23, 25	15°, 40°	3000K & 5000K



Catalog #	Type
Project	
Comments	
Prepared by	

Ordering Guide

LED	25	PAR38	/ HO	/ DIM	/ X	30	/ SP	15	/ W	/ UNV
LED Lamps and Retrofits	Wattage: 11, 18, 19, 23, 25	Lamp Type: PAR20, PAR38, PAR30LN	High Output	Dimmable	CRI 8 = 80+, 9 = 90+	Color Temperature 3000K	Spot	Beam Angle 15°	Wet Rated	120-277V

Ordering Information

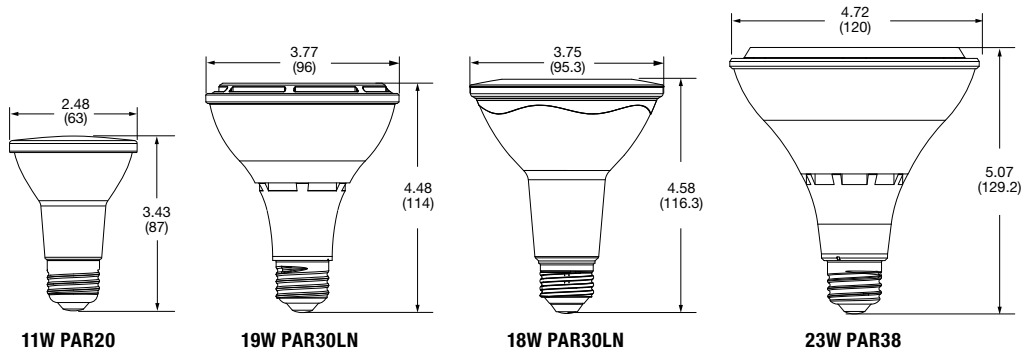
Item Number	Ordering Abbreviation	Wattage (W)	Base Type	Replaces	Beam Angle	Input Voltage (V)	CBCP	Average Rated Life (L70)	Dimmable	CCT	CRI	Typical Lumens (lm)	Power Factor	ENERGY STAR®	CEC Compliant
40414	LED11PAR20/VHO/830/NFL25/UNV	11	Medium	50W Halogen	25°	120-277	3300	25,000	No	3000K	81	1000	0.99	No	No
79361**	LED19PAR30LN/HO/DIM/830/SP15/W/120	19	Medium	75W Halogen*	15°	120	17,600	25,000	Yes	3000K	81	1800	0.99	No	No
79362**	LED19PAR30LN/HO/830/SP15/W/UNV	19	Medium	75W Halogen*	15°	120-277	17,600	25,000	No	3000K	81	1800	0.99	No	No
42238	LED18PAR30LN/HO930SP15WUNV	18	Medium	75W Halogen	15°	120-277	17,600	25,000	No	3000K	90	1800	0.99	No	Yes
74796	LED23PAR38/HO/DIM/830/FL40/W/RP	23	Medium	250W Halogen	40°	120	4500	25,000	Yes	3000K	82	2650	0.95	No	No
74793	LED23PAR38/HO/DIM/830/FL40/W/RP	23	Medium	250W Halogen	40°	120	4500	25,000	Yes	3000K	81	2650	0.95	No	No
74795	LED25PAR38/HO/830/SP15/W/UNV	25	Medium	150W Halogen	15°	120-277	20,000	25,000	No	3000K	82	2650	0.95	No	No
74794	LED25PAR38/HO/DIM/850/FL40/W/RP	25	Medium	250W Halogen	40°	120	4500	25,000	Yes	5000K	82	2650	0.95	No	No

*Based on max wattage equivalency allowed by ENERGY STAR. CBCP is similar to 120W halogen lamp.
 **Once inventory is depleted, NAED will become obsolete.
 79362 replaced by 42238

Lamp Dimensions

	MOL (inches)	Diameter (inches)
11W LED PAR20	3.43	2.48
19W LED PAR30LN	4.48	3.77
18W LED PAR30LN	4.58	3.75
23W LED PAR38	5.07	4.72

Dimensions in inches (mm)



Energy Savings

Basic Product Description	LED Life (hrs)	Similar Halogen	Halogen Life (hrs)	Watts Saved	Energy Savings*	LED Life vs Incandescent
LED 23W PAR38	25,000	250W	2500	224	\$616.00	10X
LED 19W PAR30LN	25,000	75W	2500	56	\$154.00	10X
LED 18W PAR30LN	25,000	75W	2500	56	\$156.00	10X

*Energy savings over life of lamp calculated at \$0.11/kWh

LEDVANCE LLC
 181 Ballardvale Street, Suite 203
 Wilmington, MA 01887 USA
 Phone 1-800-LIGHTBULB (1-800-544-4828)
 www.ledvanceUS.com

SYLVANIA and LEDVANCE are registered trademarks.
 All other trademarks are those of their respective owners.
 Licensee of product trademark SYLVANIA in general lighting.
 Specifications subject to change without notice.



SCAN TO FOLLOW US ON SOCIAL MEDIA

