



Color: Gray

Weight: 2.0 lbs

<b>Project:</b>	<b>Type:</b>
<b>Prepared By:</b>	<b>Date:</b>

Driver Info		LED Info	
Type	Constant Current	Watts	20/16/12W
120V	0.17A/0.14A/0.10A	Color Temp	3000/4000/5000K
208V	0.10A/0.08A/0.06A	Color Accuracy	83-86 CRI
240V	0.09A/0.07A/0.06A	L70 Lifespan	100,000 Hours
277V	0.08A/0.06A/0.05A	Lumens	1,405-2,421 lm
Input Watts	12.1-19.8W	Efficacy	110.9-127.7 lm/W

**Technical Specifications**

**Field Adjustability**

**Field Adjustable:**

Field Adjustable Light Output:  
20/16/12W(factory default 20W)  
Color Temperature Selectable:  
3000K, 4000K and 5000K (factory default: 5000K)

**Compliance**

**UL Listed:**

Suitable for wet locations

**IP Rating:**

Ingress protection rating of IP65 for dust and water

**IESNA LM-79 & LM-80 Testing:**

RAB LED luminaires and LED components have been tested by an independent laboratory in accordance with IESNA LM-79 and LM-80.

**Performance**

**Lifespan:**

100,000-Hour LED lifespan based on IES LM-80 results and TM-21 calculations

**LED Characteristics**

**LEDs:**

Long-life, high-efficiency, surface-mount LEDs

**Color Consistency:**

3-step MacAdam Ellipse binning to achieve consistent fixture-to-fixture color

**Color Stability:**

LED color temperature is warrantied to shift no more than 200K in color temperature over a 5-year period

**Color Uniformity:**

RAB's range of Correlated Color Temperature follows the guidelines of the American National Standard for Specifications for the Chromaticity of Solid State Lighting (SSL) Products, ANSI C38.377-2011.

**Construction**

**Cold Weather Starting:**

The minimum starting temperature is -40°C (-40°F)

**Ambient Temperature:**

Suitable for use in up to 45°C (113°F)

**Housing:**

Polycarbonate

**Reflector:**

Polycarbonate

**Gaskets:**

High-temperature silicone

**Tilt Increment:**

Rotates in 10 degree increments

**Lens:**

Polycarbonate lens

**Green Technology:**

Mercury and UV free. RoHS-compliant components.

**Finish:**

Natural shot blasted aluminum

**Installation**

**Mounting:**

Three 1/2" NPS conduit entry points

**Electrical**

**Driver:**

20W: Constant Current, Class 1, 50/60 Hz, 120-277V, 120V: 0.17A, 208V: 0.10A, 240V: 0.09A, 277V: 0.08A  
16W: Constant Current, Class 1, 50/60 Hz, 120-277V, 120V: 0.14A, 208V: 0.08A, 240V: 0.07A, 277V: 0.06A  
12W: Constant Current, Class 1, 50/60 Hz, 120-277V, 120V: 0.10A, 208V: 0.06A, 240V: 0.06A, 277V: 0.05A

**Technical Specifications (continued)**

**THD:**

Downlight: 11.37% @120V, 9.73% @ 277V  
 Up+Downlight: 11.38% @120V, 9.69% @ 277V

**Power Factor:**

Downlight: 98.7% @120V, 92.9% @ 277V  
 Up+Downlight: 98.7% @120V, 92.9% @ 277V

**Photocell:**

Integrated DC photocell

**Surge Protection:**

2kV

**Aux Power Supply:**

No

**Dim to Off:**

No

**Optical**

**BUG Rating:**

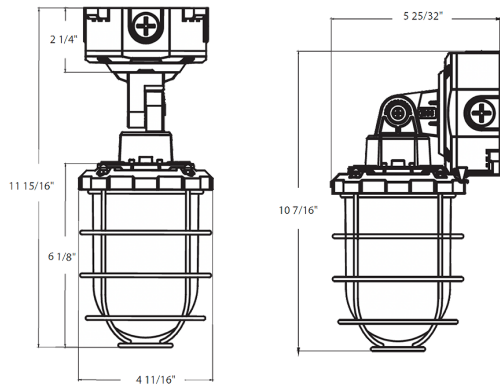
20W: B1 U4 G2  
 16W: B1 U4 G2  
 12W: B1 U3 G1

**Other**

**5 Yr Limited Warranty:**

The RAB 5-year, limited warranty covers light output, driver performance and paint finish. RAB's warranty is subject to all terms and conditions found at [rablighting.com/warranty](http://rablighting.com/warranty).

**Dimensions**



**Features**

- 100,000-Hour LED lifespan
- IP65 rating protects against dust and water
- 5-Year, Limited warranty

Ordering Matrix

Family	Wattage	Color Temp	Finish	Optics	Driver
VX	20				

20 = 20/16/12W    Blank = 3000/4000/5000K CCT Adjustable    Blank = Gray    Blank = Downlight/Up+Downlight    Blank = 120-277V, On/Off Photocell