



High performance LED Vaporproof fixture. A classic design with cutting edge LED technology. Comes with die cast guard and frosted globe. Specially designed for mounting as an uplight.

Color: Natural

Weight: 5.0 lbs

<b>Project:</b>	<b>Type:</b>
<b>Prepared By:</b>	<b>Date:</b>

Driver Info		LED Info	
Type	Constant Current	Watts	13W
120V	N/A	Color Temp	5000K (Cool)
208V	0.08A	Color Accuracy	65 CRI
240V	0.07A	L70 Lifespan	100,000 Hours
277V	0.06A	Lumens	729 lm
Input Watts	15.1W	Efficacy	48.3 lm/W

**Technical Specifications**

**Compliance**

**UL Listed:**

Suitable for wet locations. Suitable for mounting within 4 ft (1.2m) of the ground.

**IESNA LM-79 & LM-80 Testing:**

RAB LED luminaires and LED components have been tested by an independent laboratory in accordance with IESNA LM-79 and LM-80.

**Electrical**

**Driver:**

Multi-chip single 13W high output long life LED Driver. Constant Current, 100V-277V, 50/60 Hz., 100-240VAC. 3-.15 Amps 277VAC. 15 Amps. Will deliver 70% of its initial lumens at 100,000 hours based on LM-80 Tests.

**Photocell:**

277V Swivel photocell included. Photocell is compatible with 208V-277V.

**Surge Protection:**

4kV

**Performance**

**Lifespan:**

100,000-Hour LED lifespan based on IES LM-80 results and TM-21 calculations

**Wattage Equivalency:**

Equivalent to 26W CFL

**Construction**

**Construction:**

Die cast aluminum housing and door. Tether connects back housing halves for safety.

**Thermal Management (Patent Pending):**

Die cast aluminum LED housing designed for maximum heat dissipation

**Cold Weather Starting:**

The minimum starting temperature is -40°C (-40°F)

**Ambient Temperature:**

Suitable for use in up to 35°C (95°F)

**Housing:**

Die-cast aluminum housing and driver housing

**Guard and Globe:**

Shot blasted guard with frosted globe

**Reflector:**

High quality hydroformed semi-specular aluminum

**Gaskets:**

High-temperature Silicone

**Finish:**

Natural shot blasted aluminum

**Green Technology:**

Mercury and UV free. RoHS-compliant components.

**Installation**

**Mounting:**

Three 1/2" NPS conduit entry points

**Other**

**HID Replacement Range:**

Replaces 13-23W CFL or 25-60W incandescent

**Warranty:**

RAB warrants that our LED products will be free from defects in materials and workmanship for a period of five (5) years from the date of delivery to the end user, including coverage of light output, color stability, driver performance and fixture finish. RAB's warranty is subject to all terms and conditions found at [rablighting.com/warranty](http://rablighting.com/warranty).

**LED Characteristics**

**Color Consistency:**

3-step MacAdam Ellipse binning to achieve consistent fixture-to-fixture color

## Technical Specifications (continued)

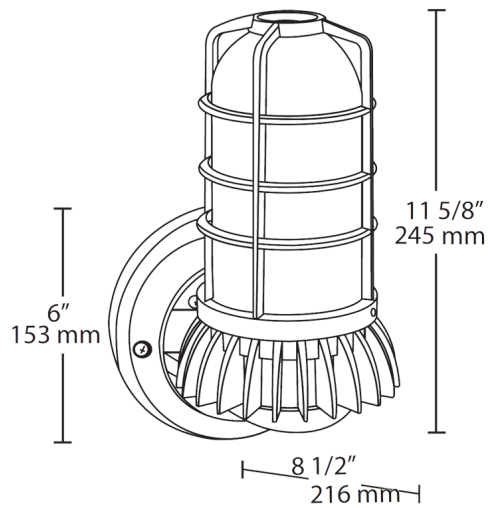
### Color Stability:

LED color temperature is warranted to shift no more than 200K in color temperature over a 5-year period

### Color Uniformity:

RAB's range of Correlated Color Temperature follows the guidelines of the American National Standard for Specifications for the Chromaticity of Solid State Lighting (SSL) Products, ANSI C78.377-2017.

## Dimensions



## Features

- Specially designed for mounting as an uplight
- 100,000-hour life based on LM-80 results and TM-21 calculations
- Die Cast Aluminum Housing
- Classic design with state of the art LED technology
- Frosted globe emits uniform glow